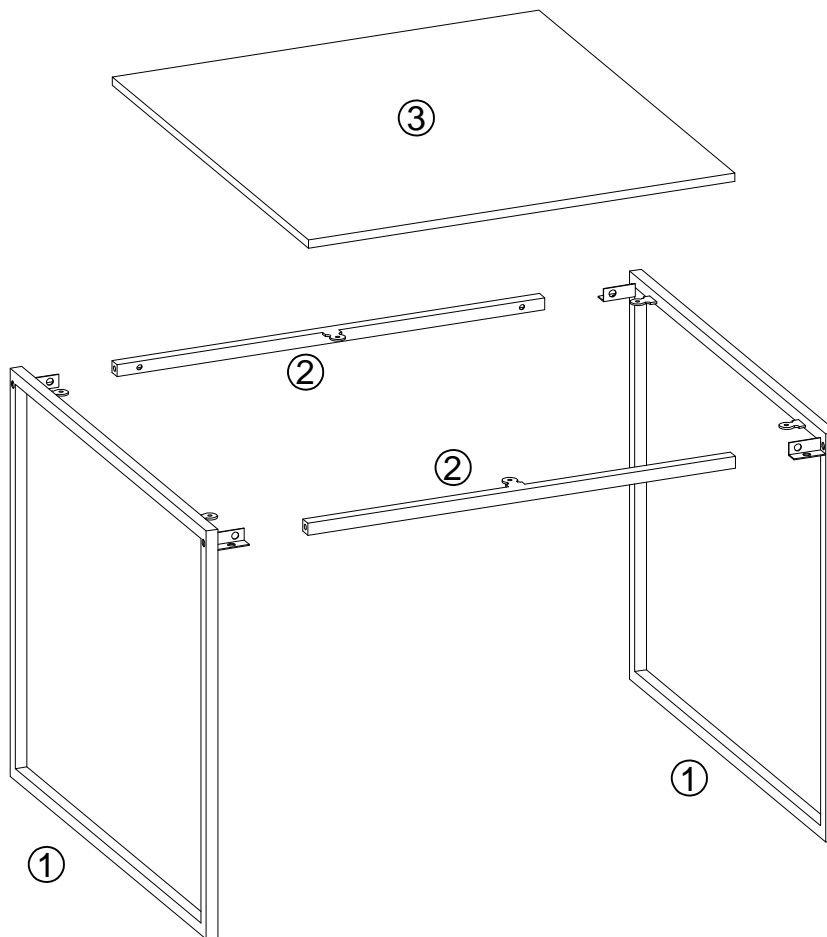

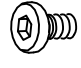

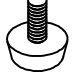

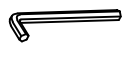





27/03/2021

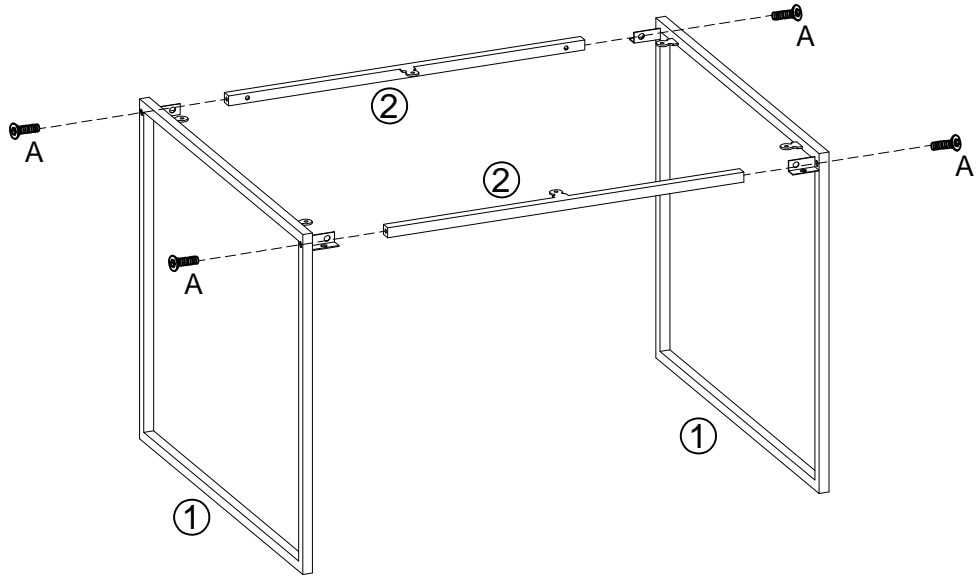
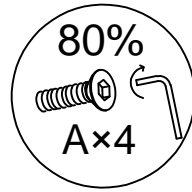
			✓
①	2	500x445x48	
②	2	474x40x13	
③	1	500x473x9	




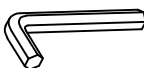
A x 4  M5×25mm	B x 8  M6×10mm	C x 6  M4x10mm	D x 4  Ø13x15	E x 1  4mm
F x 1  3mm	G x 6  Ø9/Ø4			

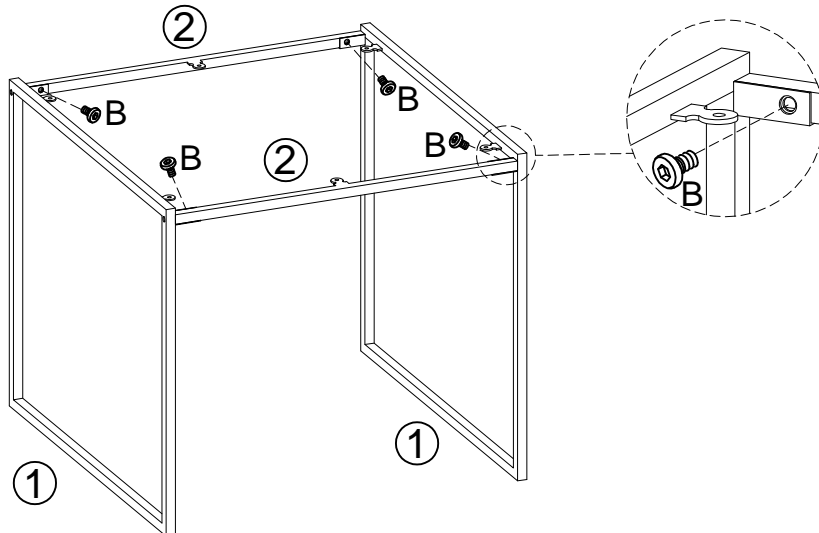
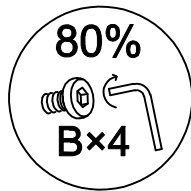
1

A x 4  M5x25mm	F x 1  3mm
---	---





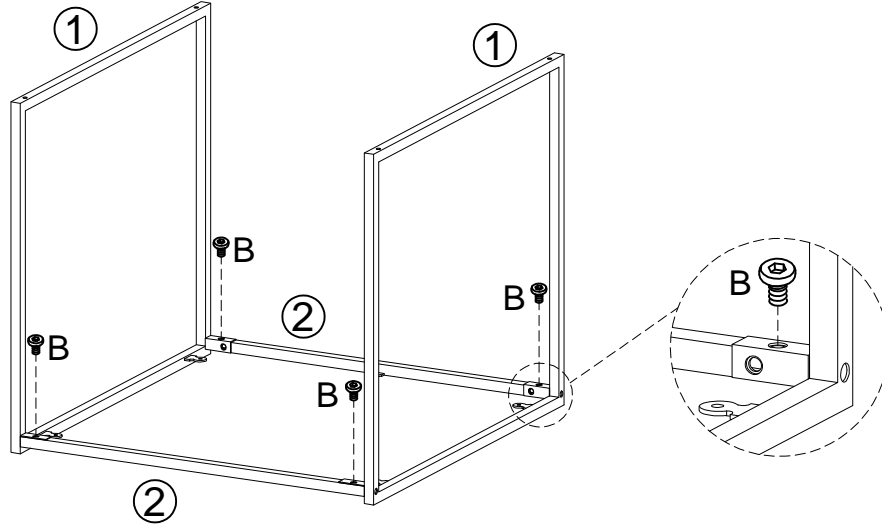
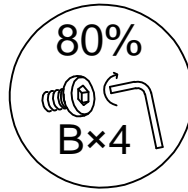
2

B x 4  M6x10mm	E x 1  4mm
---	---






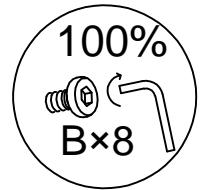
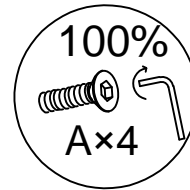
3

B x 4  M6x10mm	E x 1  4mm
---	---

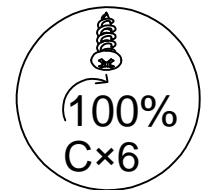
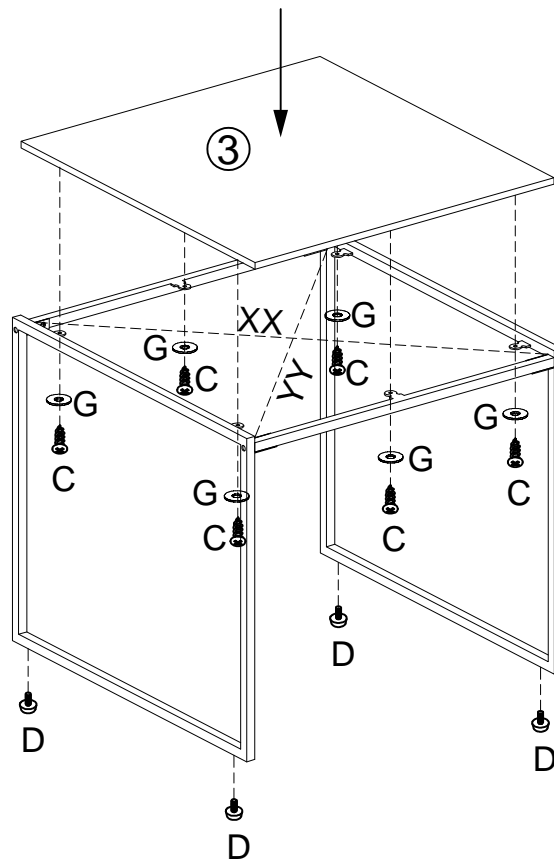


4

C x 6  M4x10mm	D x 4  Ø13x15	G x 6  Ø9/Ø4
---	--	---



XX=YY



5

