


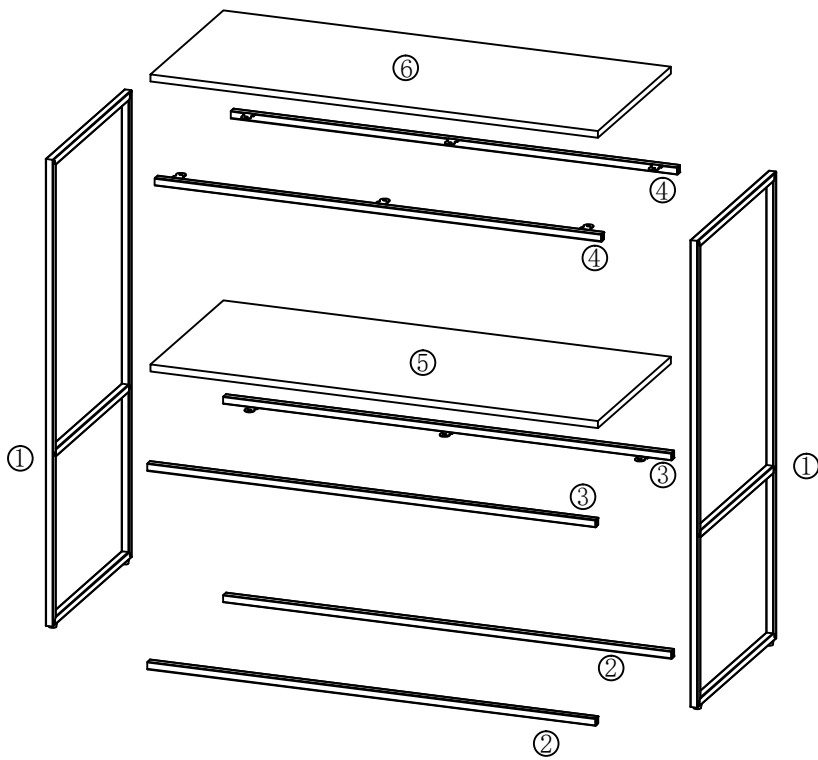
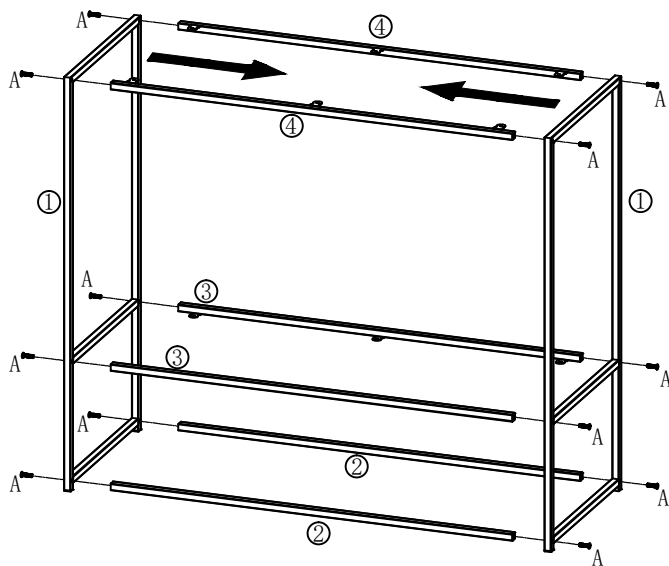
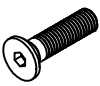



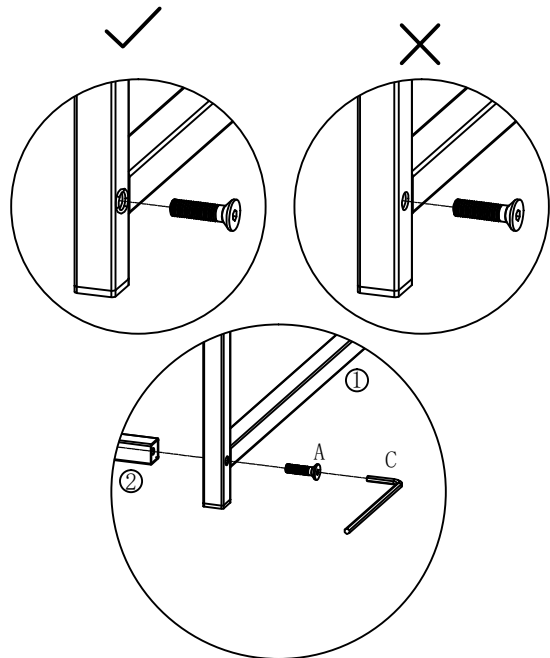
A	×12	B	×12	C	×1
					
M5×25		∅4×10		M3	



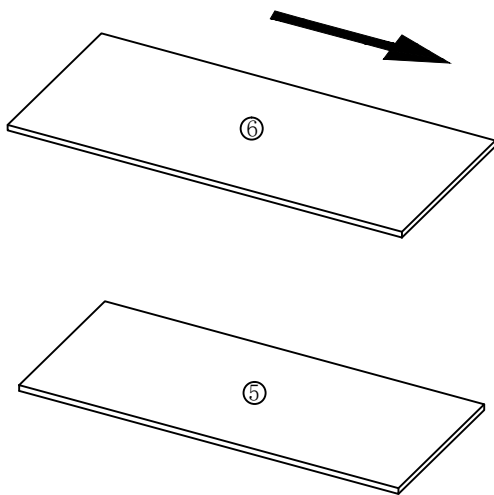
1▷






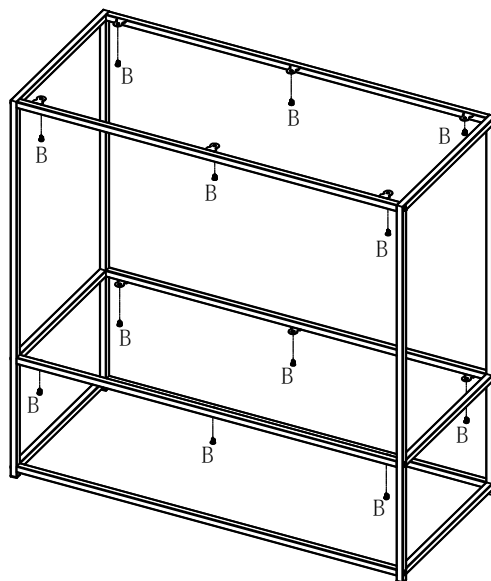
A	×12	C	×1
			
M5×25		M3	



2▷



B	×12		
			
φ4×10			



3▷

