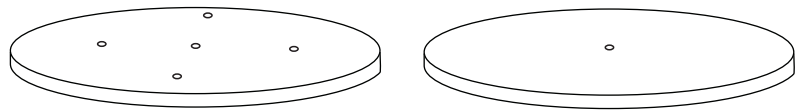
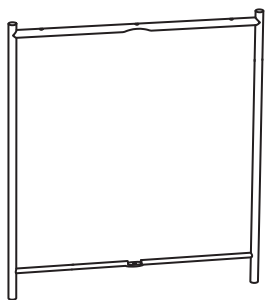


Handleiding Lina

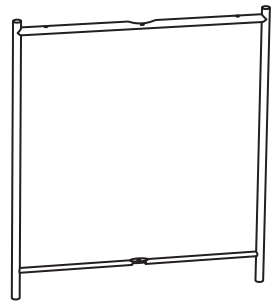


Ax1

Bx1



Cx1



Dx1



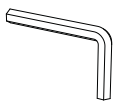
M6x20 MM

ax1



M6x25 MM

bx5

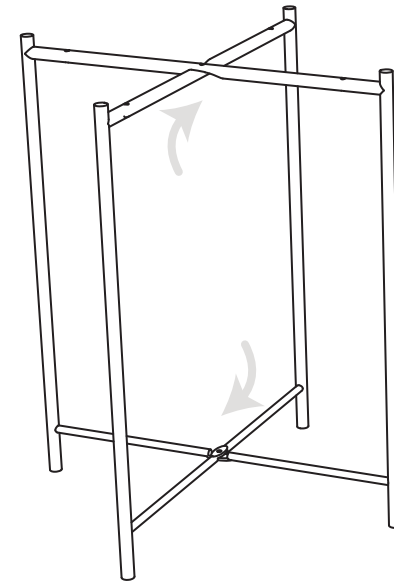
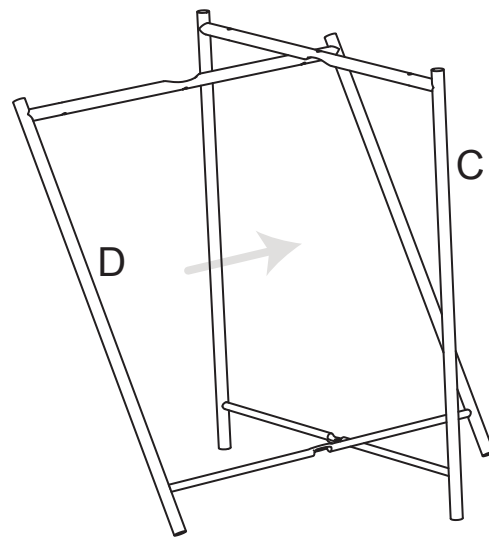


cx1

dx8

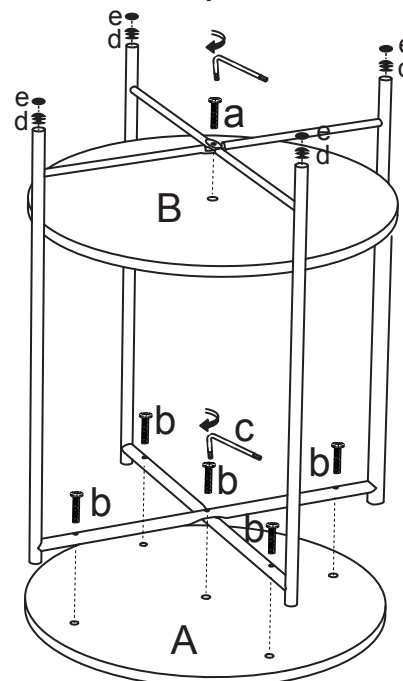


ex4

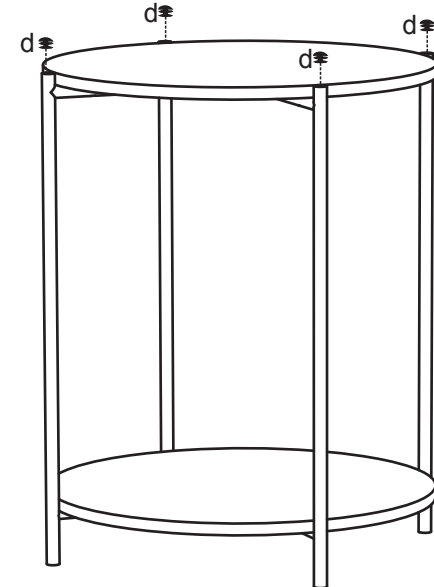


Step 1

Step 2



Step 3



Step 4

