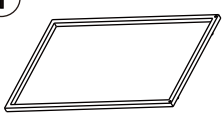
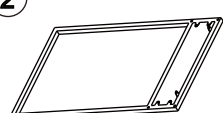
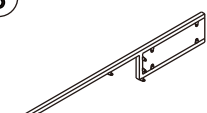
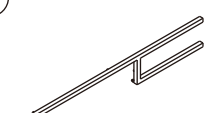
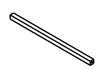

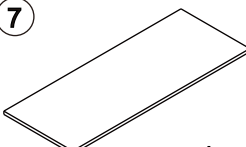


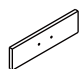
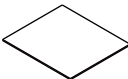
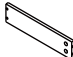
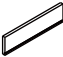


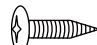
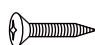
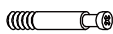


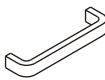

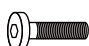
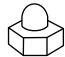



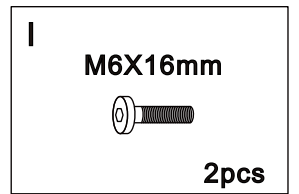
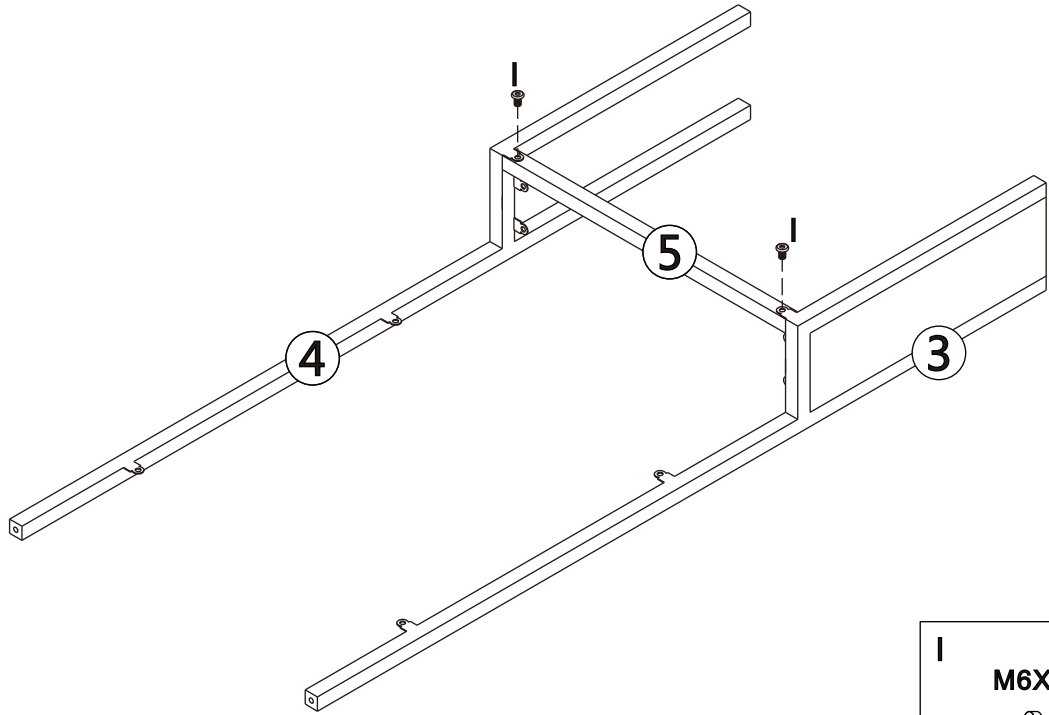


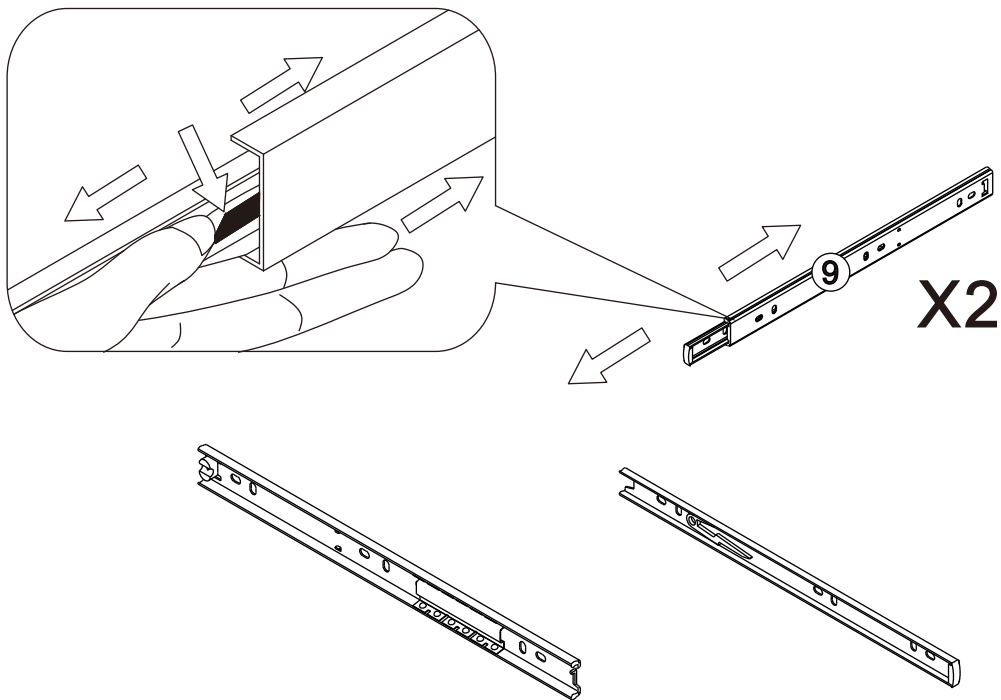
1  1pc	2  1pc	3  1pc	4  1pc	5  1pc
6  2pcs	7  1pc	8  1pc	9  2pcs	10  1pc
11  1pc	12  1pc	13  1pc	14  1pc	

A M6X40mm  6pcs	B M4X12mm  12pcs	C M3.5X12mm  8pcs	D M6X22mm  4pcs	E Ø12  4pcs
F M4X35mm  4pcs	G  1pc	H M4X18mm  2pcs	I M6X16mm  7pcs	J M6  1pc
K  4pcs	L M4  1pc	M 10mm  1pc		

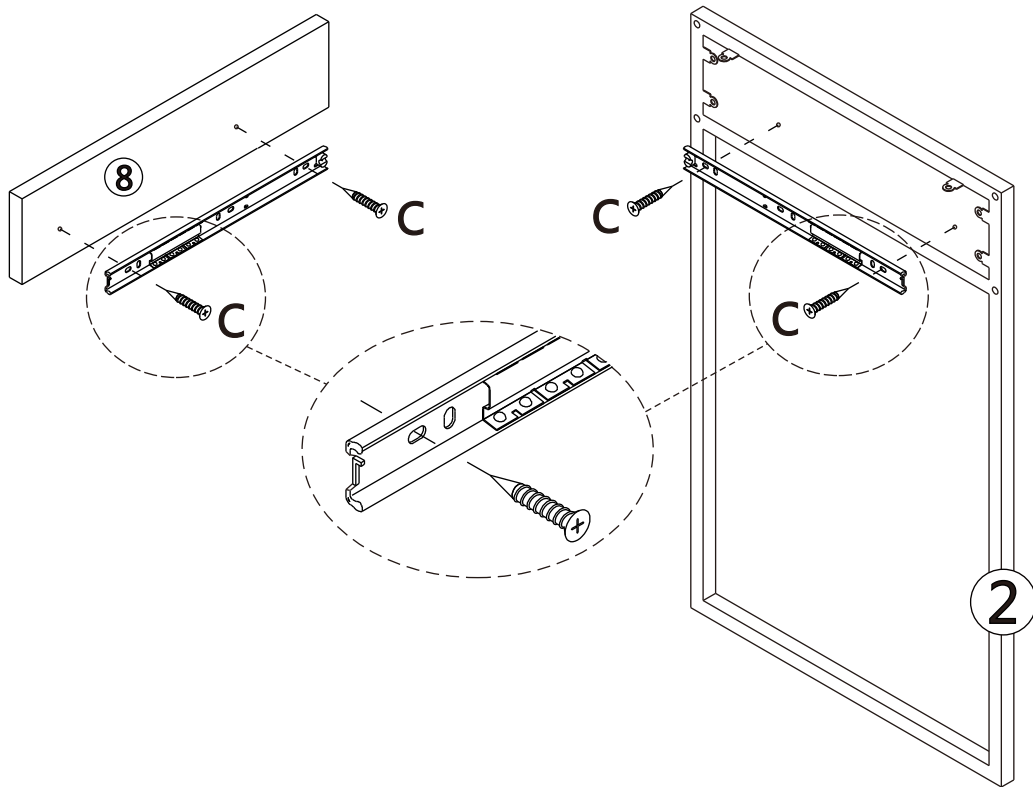
1




2

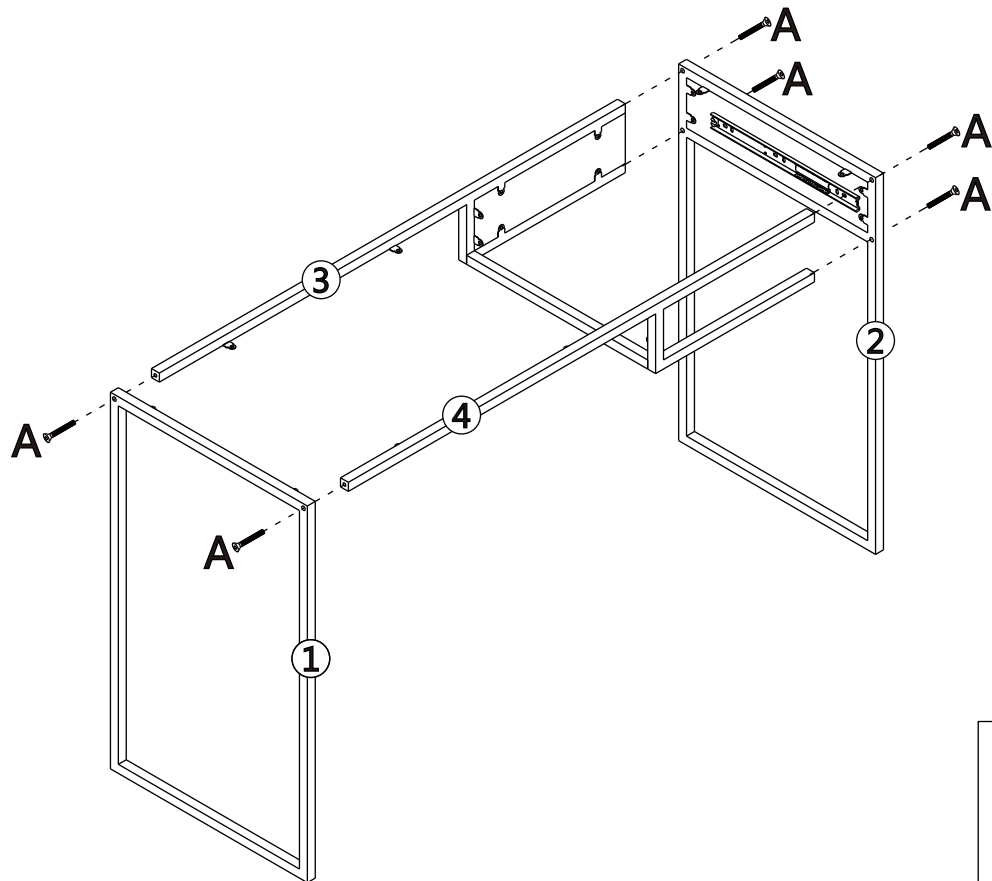



3



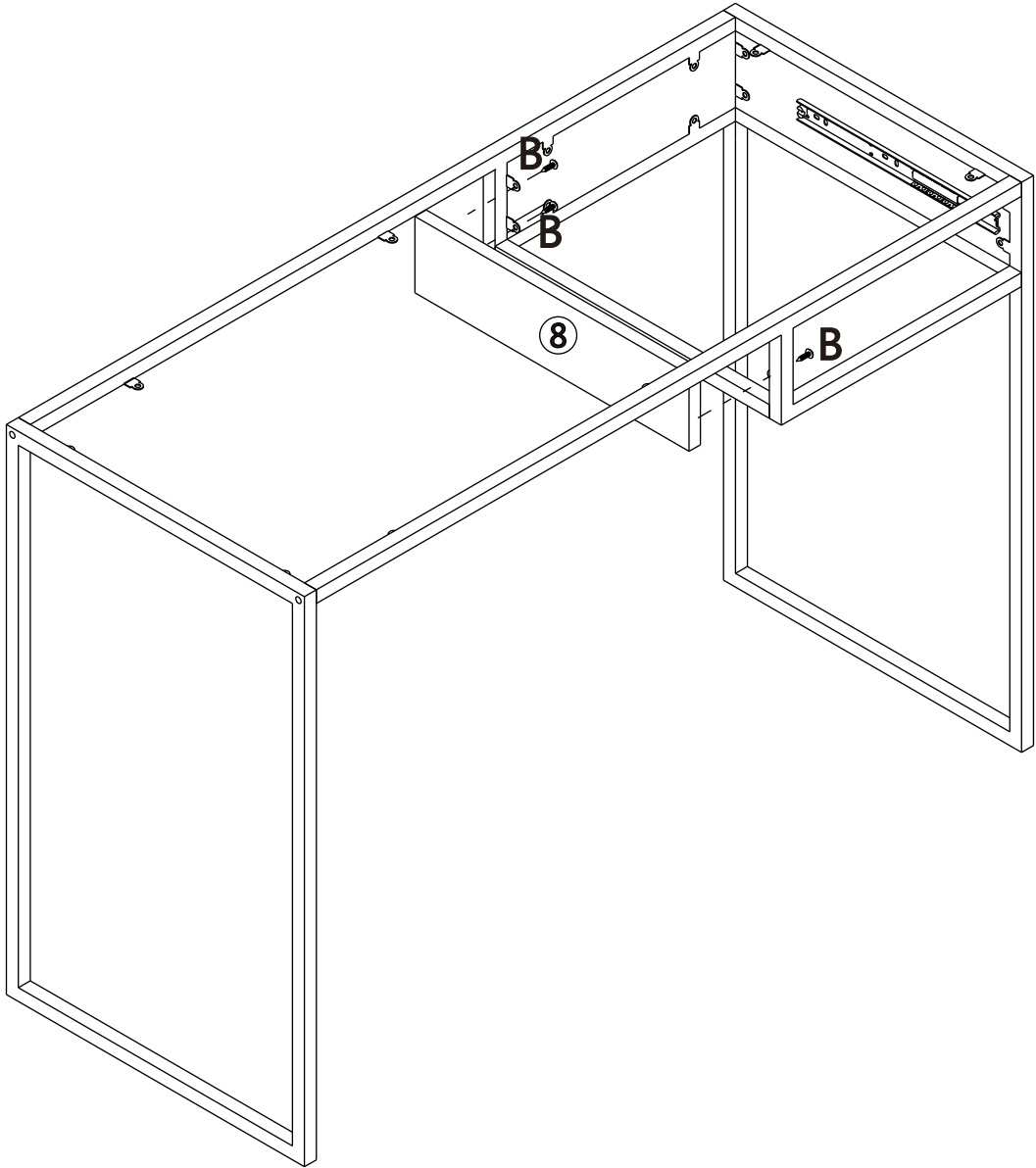
C
M3.5X12mm

4pcs

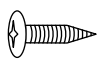
4



A
M6X40mm

6pcs

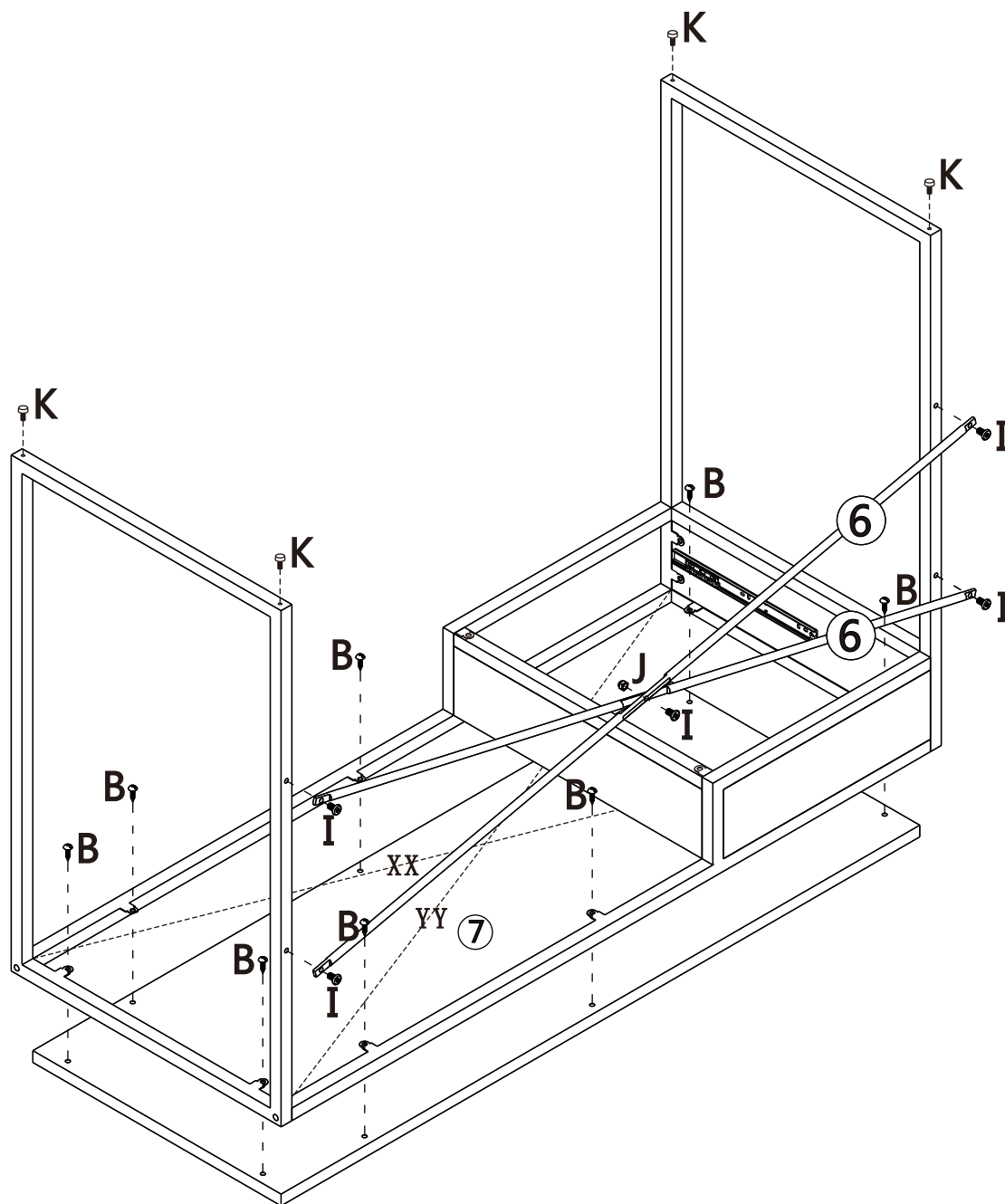
5


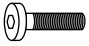

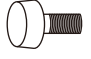


B
M4X12mm

4pcs

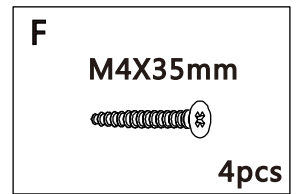
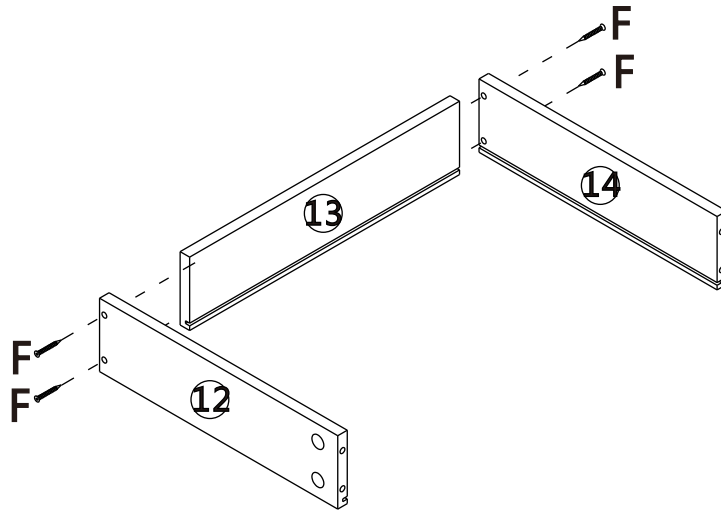
6

! XX=YY

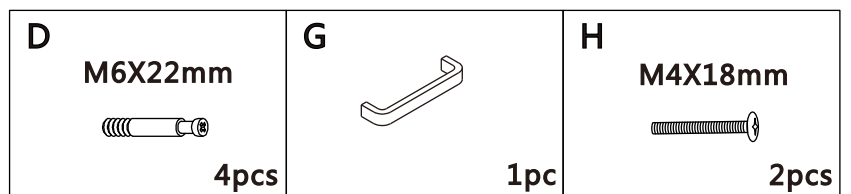
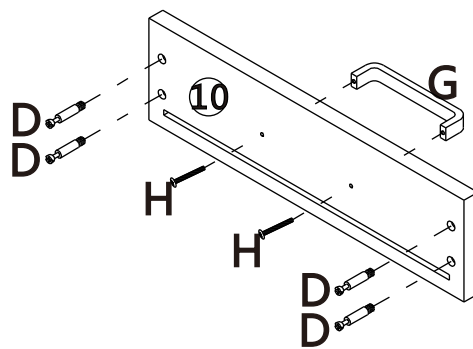


B M4X12mm  8pcs	I M6X16mm  5pcs	J M6  1pc	K  4pcs
--------------------------------------------------------------------------------------------------------------------	--------------------------------------------------------------------------------------------------------------------	----------------------------------------------------------------------------------------------------------------	-----------------------------------------------------------------------------------------------------------

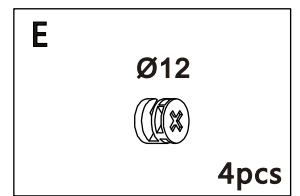
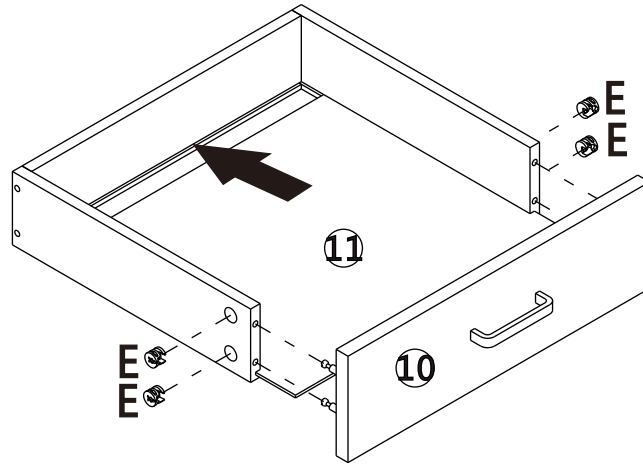
7



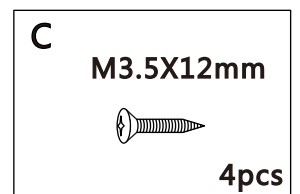
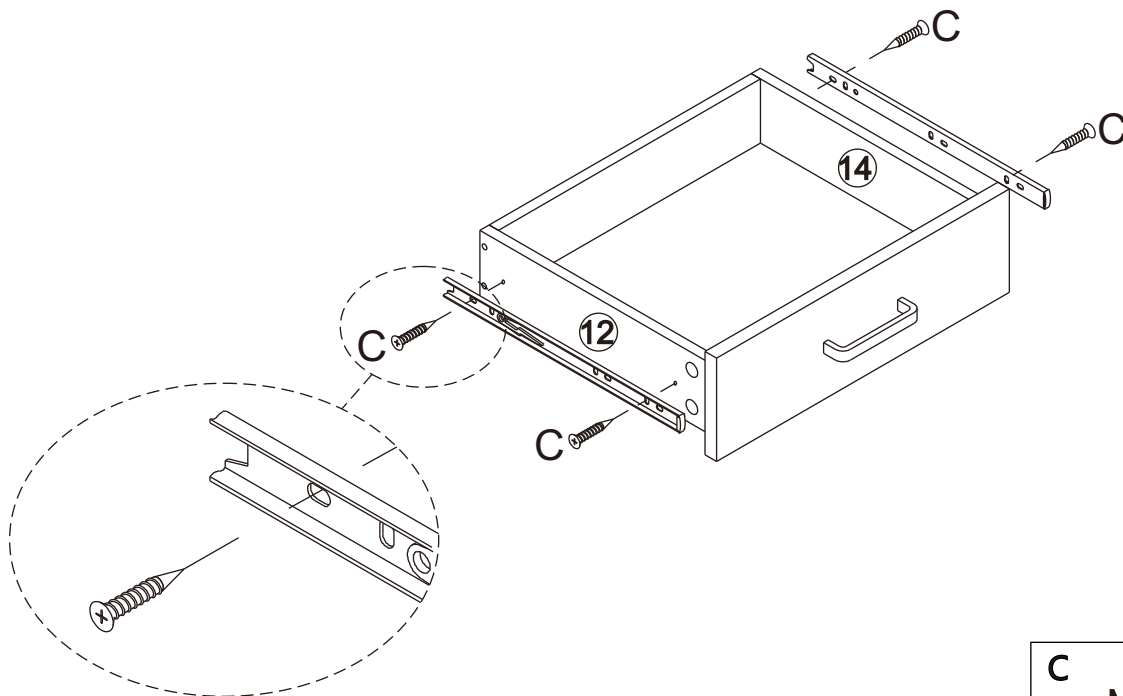
8



9



10



11

