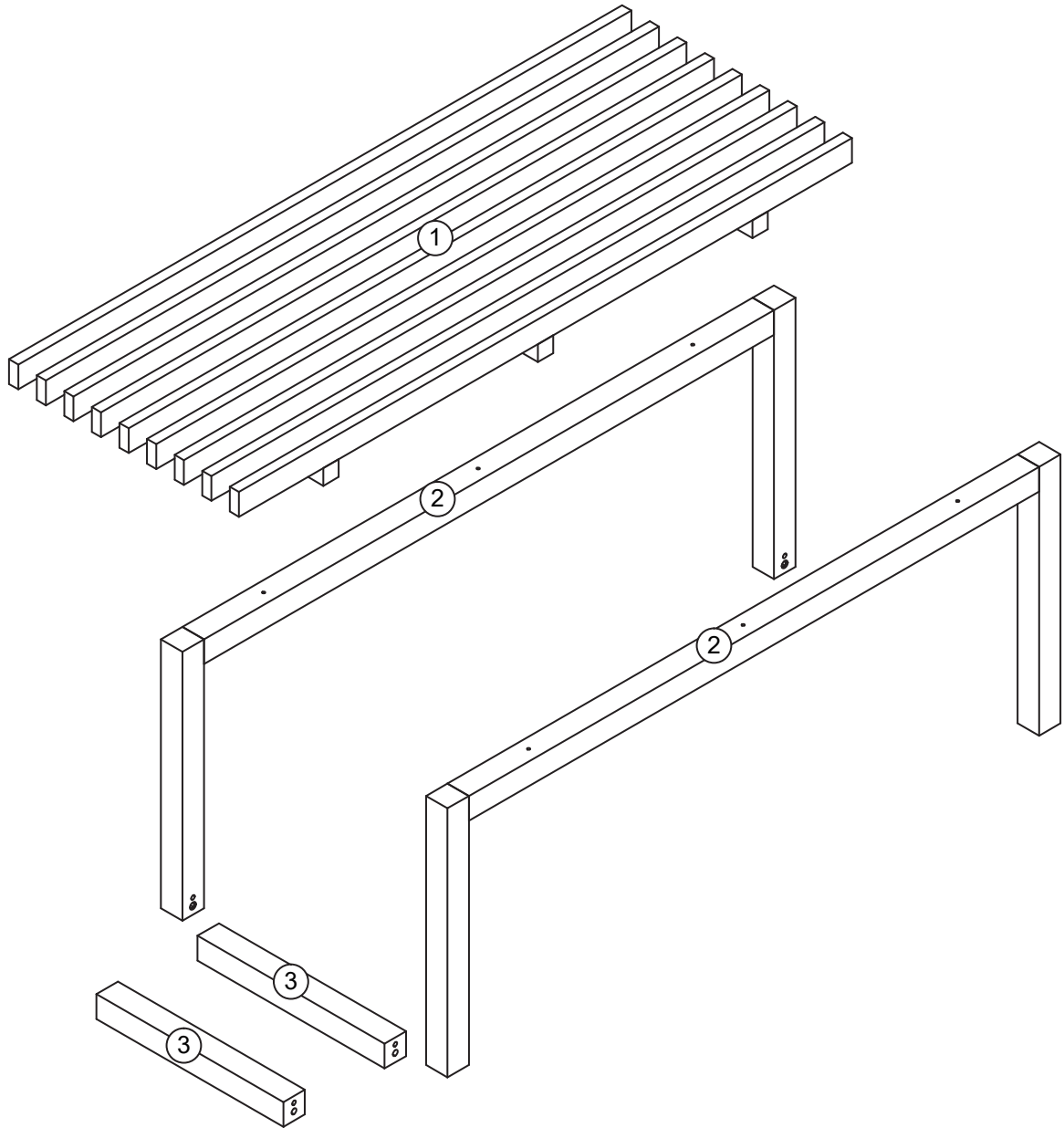
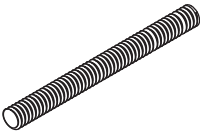
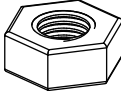
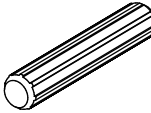
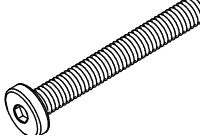

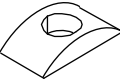

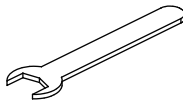
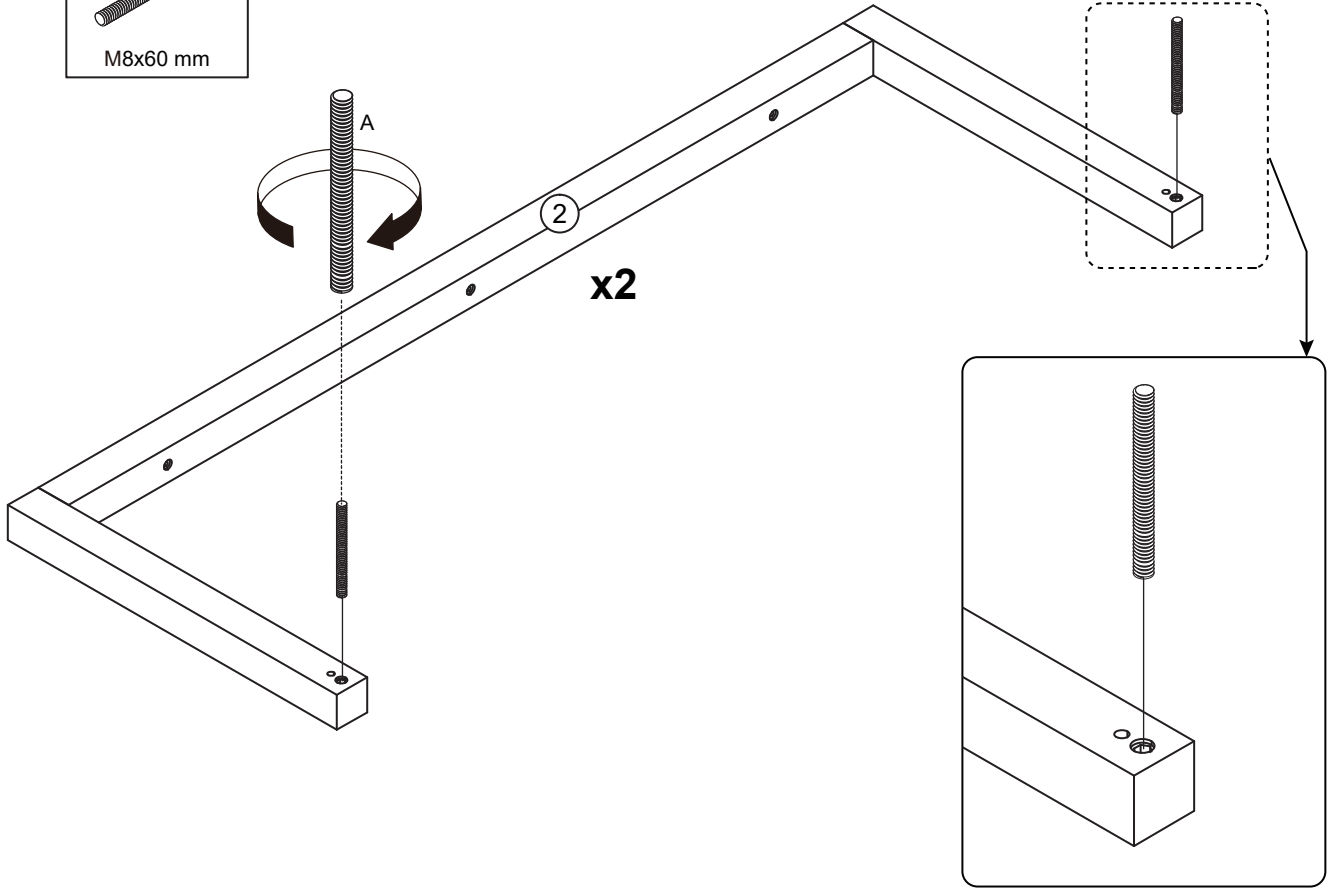
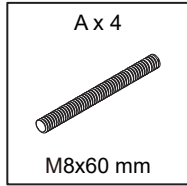


			✓
①	1	1000x375x60	
②	2	1000x35x380	
③	2	305x35x35	

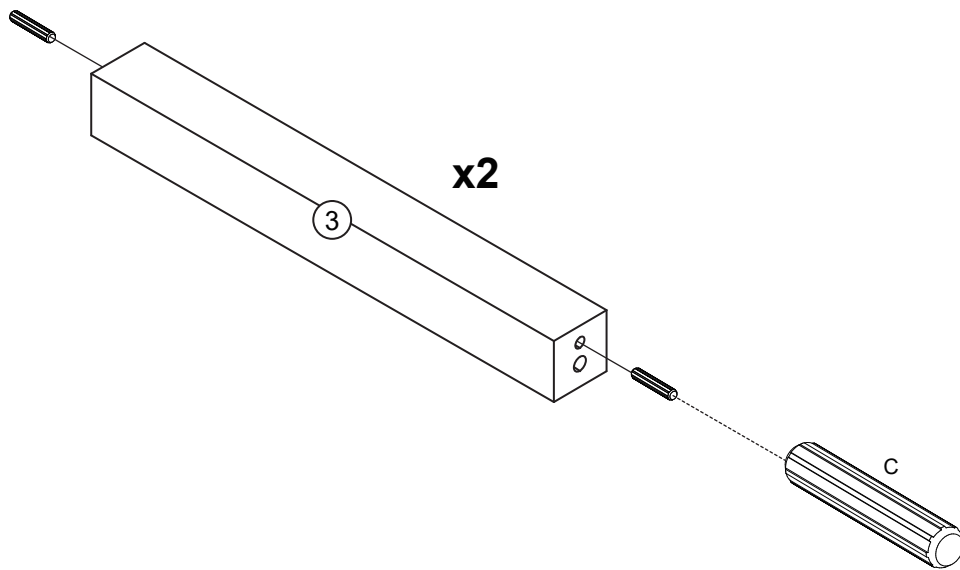
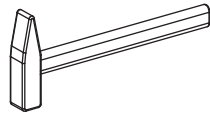
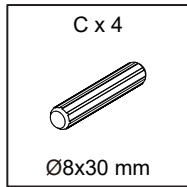


<p>A x 4</p>  <p>M8x60 mm</p>	<p>B x 4</p>  <p>M8/13 mm</p>	<p>C x 4</p>  <p>Ø8x30 mm</p>	<p>D x 6</p>  <p>M6x40 mm</p>	<p>E x 1</p>  <p>4 mm</p>
<p>F x 4</p>  <p>28x15x7 mm</p>	<p>G x 4</p>  <p>Ø30x3 mm</p>	<p>H x 1</p>  <p>13 mm</p>		




1

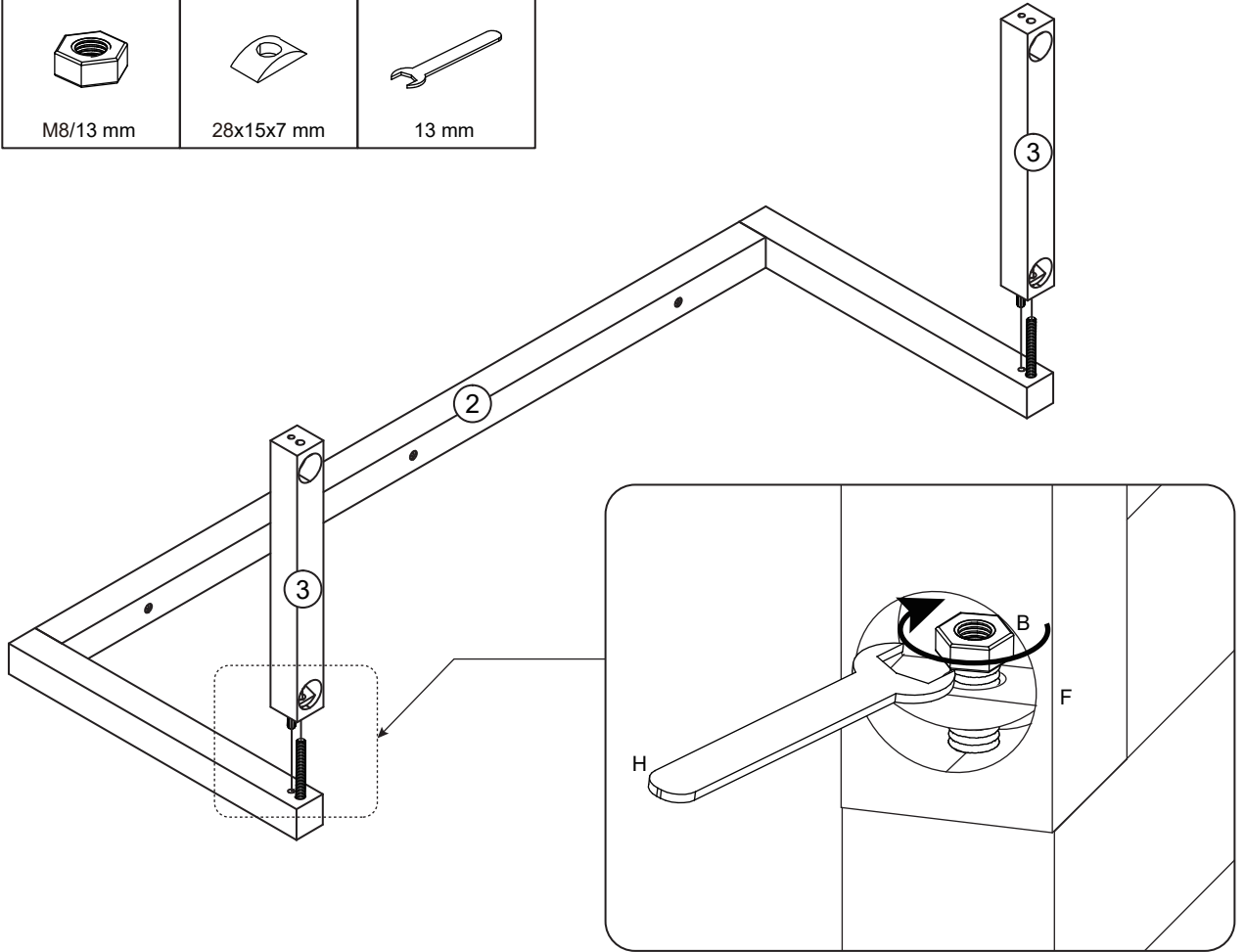


2





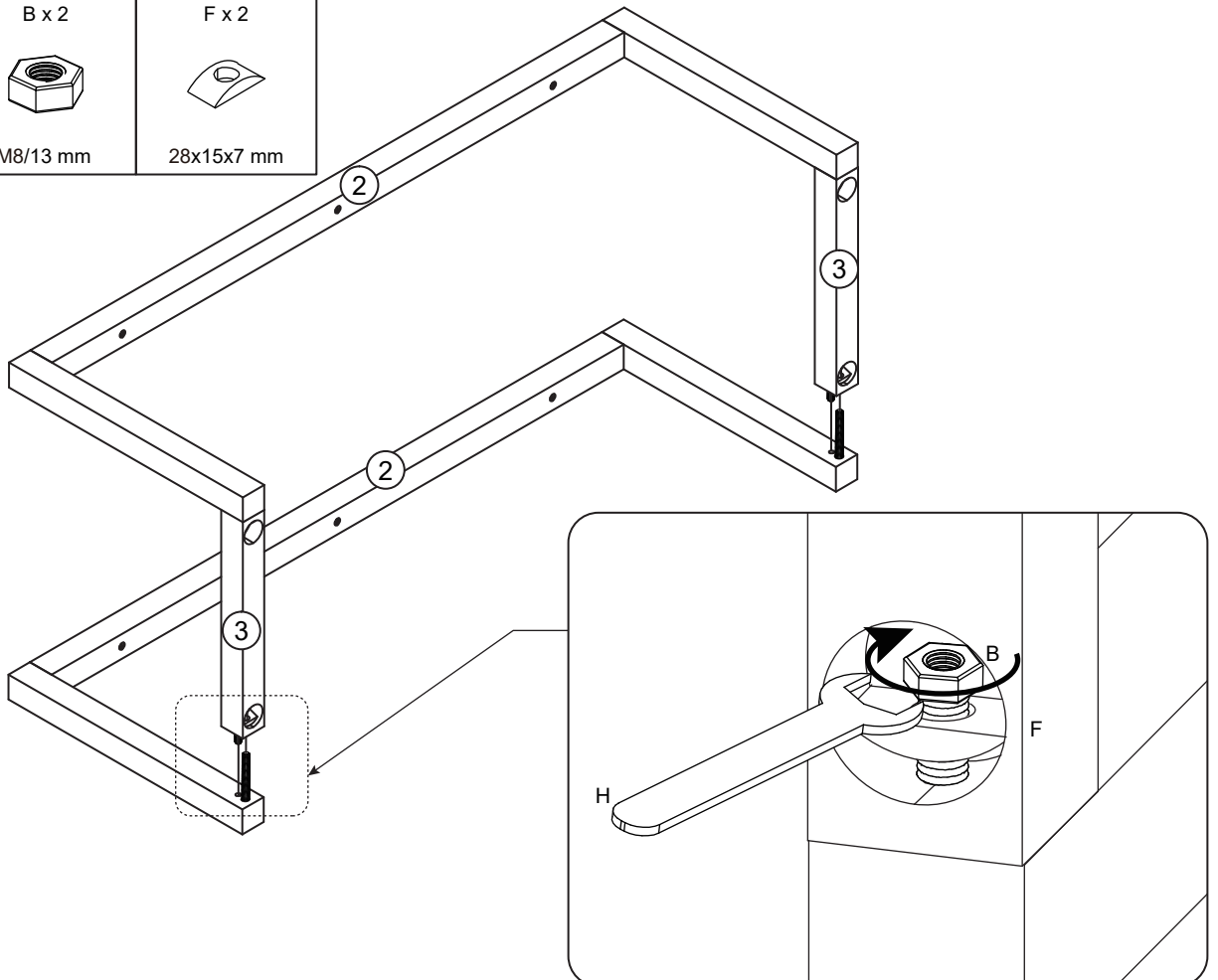
3

B x 2  M8/13 mm	F x 2  28x15x7 mm	H x 1  13 mm
--	--	---

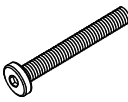




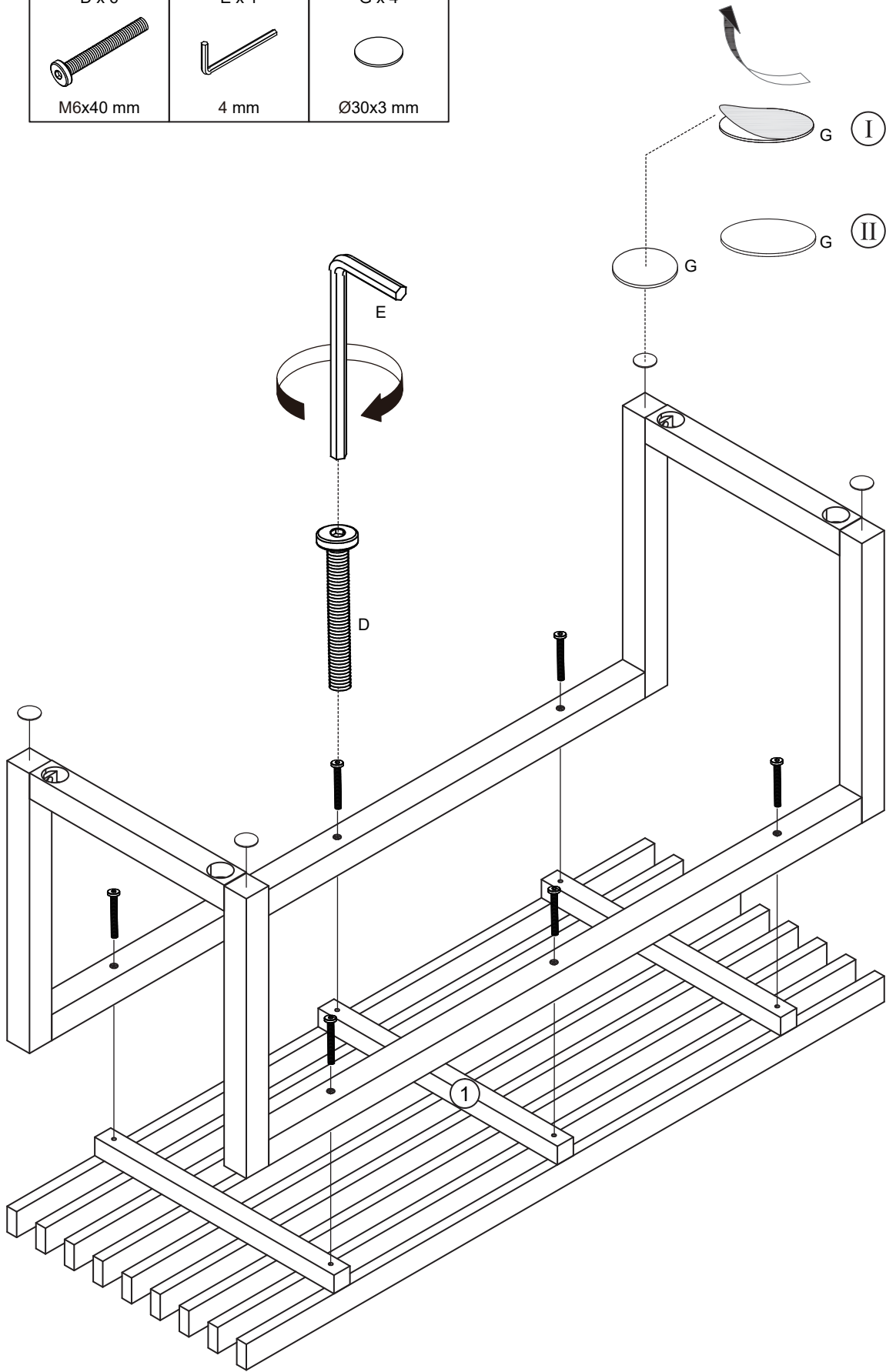
4

B x 2  M8/13 mm	F x 2  28x15x7 mm
--	--



5

D x 6  M6x40 mm	E x 1  4 mm	G x 4  Ø30x3 mm
--	--	--



6

