



GAZZDA

Fawn bed

Product sheet

design by
Salih Teskeredžić



reddot award 2016
winner



Fawn bed

Product facts

Materials

Body	Solid oak
Finish	Hardwax oil
Headboard	Cotton webbing Leather or fabric upholstery

Technical features

Body

The superlight, demountable Fawn bed body construction is entirely made out of solid wood - oak. Fawn bed comes in two different frame heights - as 10 cm normal frame and 14 cm deep frame option (more suitable for higher slats/mattresses).

Headboard

Two options for the headboard are available: cotton webbing and upholstered options (leather, fabric and felt). For further information please see Available materials and colours page in this document.

Finish

Solid wood finish is available in two plant-based Hardwax oil finishes (colours), which retain the wood's natural state, as a white or natural oil.

Cleaning

Please see [Product](#) or [Material](#) page on our website.

Standards and certifications

Fawn bed fulfills requirements of standard BAS EN 1725:2005 (EN 1725:1998, IDT) Domestic furniture - Beds and mattresses - Safety requirements and test methods.

Internal frame dimensions of the Fawn bed (European sizes) are in accordance with European Standard DIN EN 1334 (internal frame width = mattress nomenclature width + 0,5 cm; internal frame depth = mattress nomenclature depth + 0 cm).

Mattresses and slats

Mattresses and slats are not included in the Fawn bed, while the basic slats (6 cm high) are available on request.

Slats available on request come in two separate parts and are combined together in one bed frame (dimensions of each part is 1/2 bed internal frame width).

Slats higher than 6 cm are not suitable for the Fawn bed - normal frame. Due to this reason, Fawn bed - deep frame options (frame height - 14 cm) are also available for order.

Notes to consider

Variations

Natural variations in wood color and surface may occur. Regular maintenance will ensure the wood preserves its authentic beauty and can last for generations.

Product changes

Please note that Gazzda reserves the right to alter construction and design without notice.

Dimensions (tolerances)

The dimensions shown are indicative, they may vary due to the natural properties of wood, season, or manufacturing processes. Deviations from the specified size may occur, usually no more than 1 cm.

For all additional inquiries regarding the Fawn bed please feel free to [contact us](#).

Fawn bed 140 x 200 - normal frame

Frame Solid oak, Headboard Cotton webbing / Upholstered



Version: 28-3-2022

Basic info

Design Salih Teskeredžić

Mattress size W: 140, D: 200
Product size W: 147, D: 224, H: 92
Packaging W: 240, D: 109, H: 11
Volume (total) 0,29 m³
Net weight 25,5 kg
Gross weight 31,5 kg

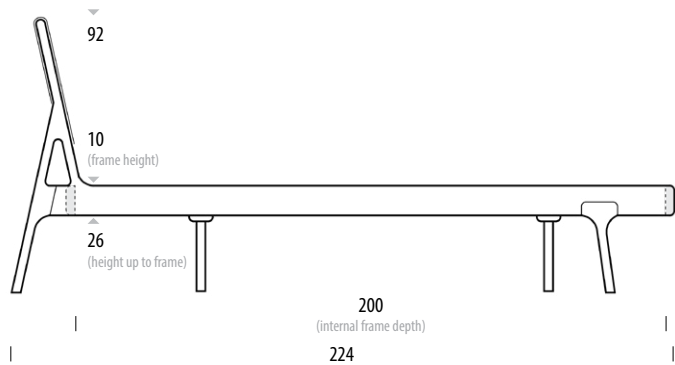
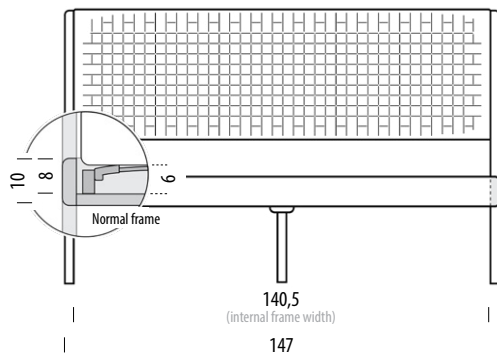


Item no. 022 / 0A8

Internal space	Width	Depth	Height
Frame size	140,5	200	8
Mattress size	140	200	

Assembly 30 min / 2 persons

Frame	Height
Up to frame	26
Normal frame	10



Fawn bed 140 x 200 - deep frame

Frame Solid oak, Headboard Cotton webbing / Upholstered



Basic info

Design Salih Teskeredžić

Mattress size W: 140, D: 200
Product size W: 147, D: 224, H: 92
Packaging W: 240, D: 109, H: 11
Volume (total) 0,29 m³
Net weight 33,5 kg
Gross weight 38 kg

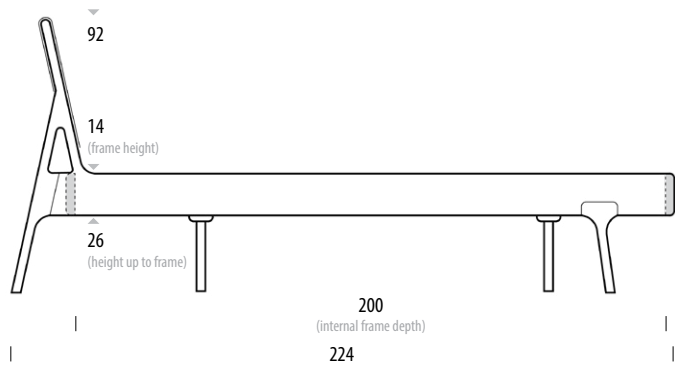
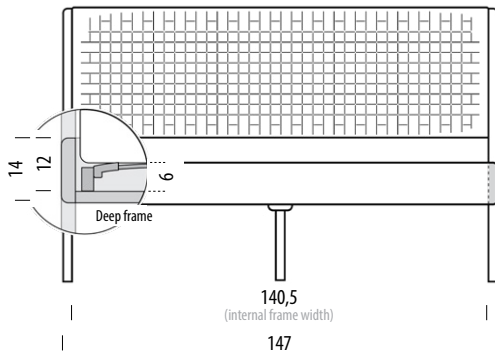


Item no. 02A / 0AF

Internal space	Width	Depth	Height
Frame size	140,5	200	12
Mattress size	140	200	

Assembly 30 min / 2 persons

Frame	Height
Up to frame	26
Deep frame	14



Fawn bed 160 x 200 - normal frame

Frame Solid oak, Headboard Cotton webbing / Upholstered



Version: 28-3-2022

Basic info

Design Salih Teskeredžić

Mattress size W: 160, D: 200
Product size W: 167, D: 224, H: 92
Packaging W: 240, D: 109, H: 11
Volume (total) 0,29 m³
Net weight 28 kg
Gross weight 34,2 kg

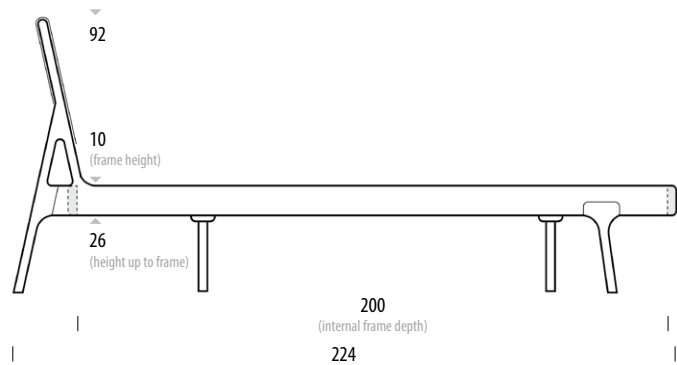
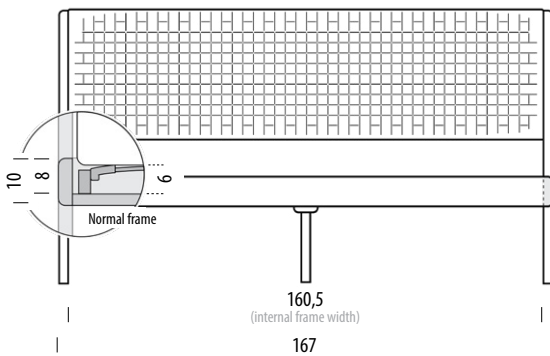


Item no. 024 / OAB

Internal space	Width	Depth	Height
Frame size	160,5	200	8
Mattress size	160	200	

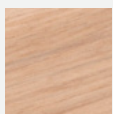
Assembly 30 min / 2 persons

Frame	Height
Up to frame	26
Normal frame	10



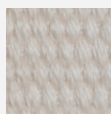
Selected options

Body



Oiled Oak
1015
White oil

Headboard



Cotton webbing
2001
White



Main line flax
MLF02
Archway

Indicated materials and colours are selected by Gazzda as best-selling items and their lead time is shorter than of made-to-order options. Please consult the current price list or our customer service for the lead time of selected options.

For other material options, please see the Available materials section at the end of the product sheet.

Fawn bed 160 x 200 - deep frame

Frame Solid oak, Headboard Cotton webbing / Upholstered



Version: 28-3-2022

Basic info

Design Salih Teskeredžić

Mattress size W: 160, D: 200
Product size W: 167, D: 224, H: 92
Packaging W: 240, D: 109, H: 11
Volume (total) 0,29 m³
Net weight 36,1 kg
Gross weight 40,6 kg

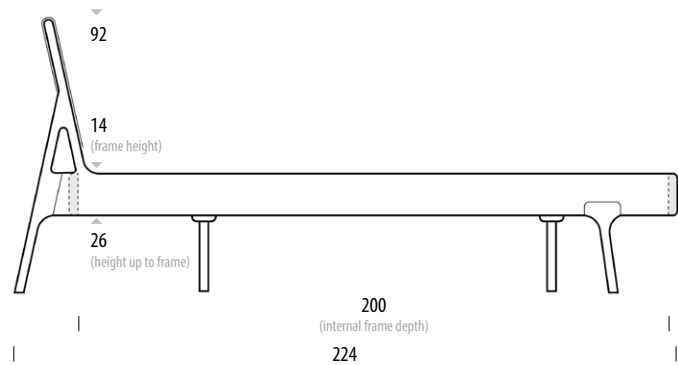
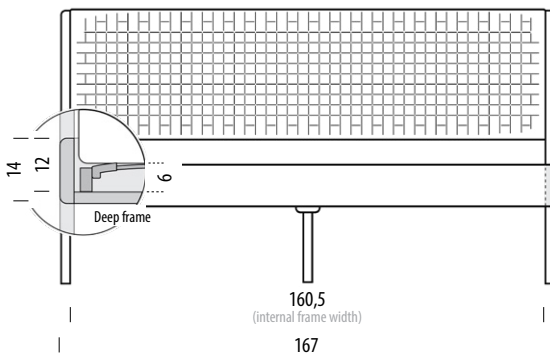


Item no. 02B / 0B0

Assembly 30 min / 2 persons

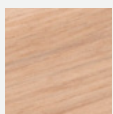
Internal space	Width	Depth	Height
Frame size	160,5	200	12
Mattress size	160	200	

Frame	Height
Up to frame	26
Deep frame	14



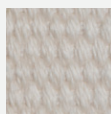
Selected options

Body



Oiled Oak
1015
White oil

Headboard



Cotton webbing
2001
White



Main line flax
MLF02
Archway

Indicated materials and colours are selected by Gazzda as best-selling items and their lead time is shorter than of made-to-order options. Please consult the current price list or our customer service for the lead time of selected options.

For other material options, please see the Available materials section at the end of the product sheet.

Fawn bed 180 x 200 - normal frame

Frame Solid oak, Headboard Cotton webbing / Upholstered



Version: 28-3-2022

Basic info

Design Salih Teskeredžić

Mattress size W: 180, D: 200
Product size W: 187, D: 224, H: 92
Packaging W: 240, D: 109, H: 11
Volume (total) 0,29 m³
Net weight 31,5 kg
Gross weight 37,2 kg

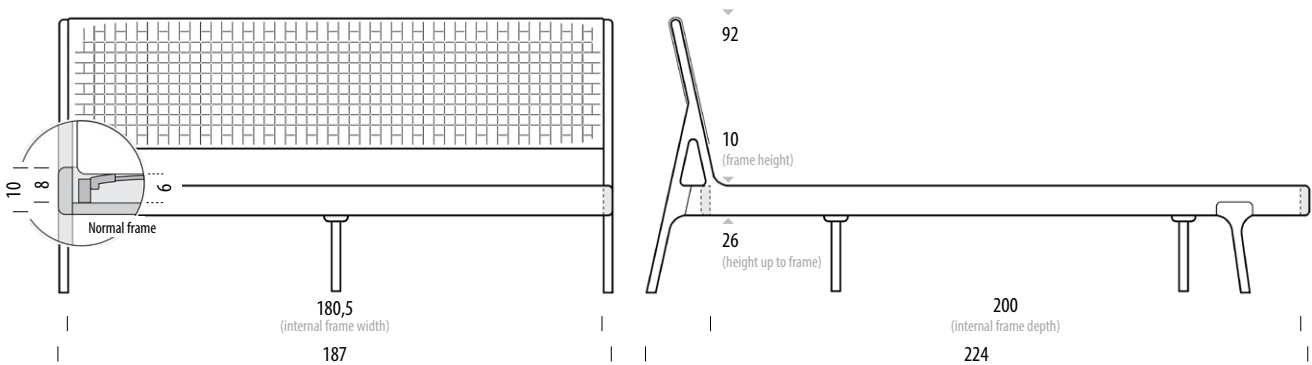


Item no. 025 / OAC

Assembly 30 min / 2 persons

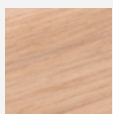
Internal space	Width	Depth	Height
Frame size	180,5	200	8
Mattress size	180	200	

Frame	Height
Up to frame	26
Normal frame	10



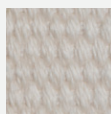
Selected options

Body



Oiled Oak
1015
White oil

Headboard



Cotton webbing
2001
White



Main line flax
MLF02
Archway

Indicated materials and colours are selected by Gazzda as best-selling items and their lead time is shorter than of made-to-order options. Please consult the current price list or our customer service for the lead time of selected options.

For other material options, please see the Available materials section at the end of the product sheet.

Fawn bed 180 x 200 - deep frame

Frame Solid oak, Headboard Cotton webbing / Upholstered



Version: 28-3-2022

Basic info

Design Salih Teskeredžić

Mattress size W: 180, D: 200
Product size W: 187, D: 224, H: 92
Packaging W: 240, D: 109, H: 11
Volume (total) 0,29 m³
Net weight 39,6 kg
Gross weight 44,1 kg

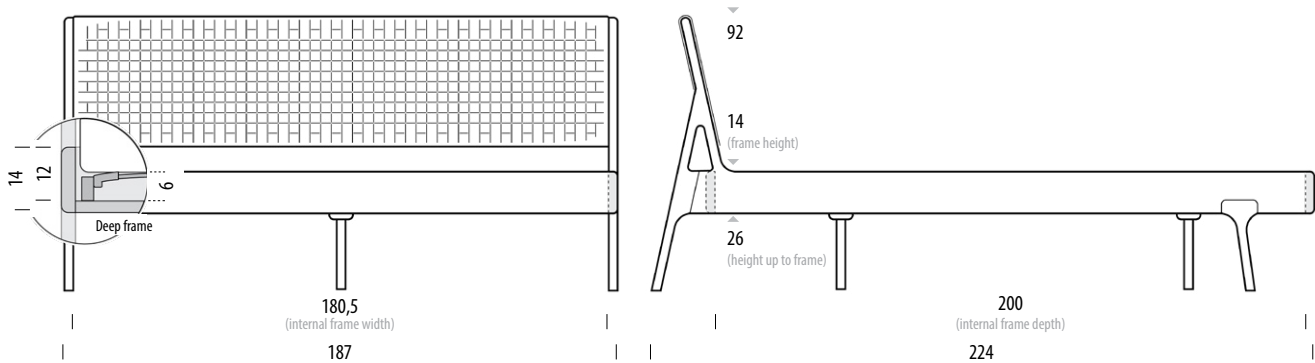


Item no. 02C / 0B1

Assembly 30 min / 2 persons

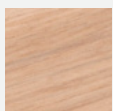
Internal space	Width	Depth	Height
Frame size	180,5	200	12
Mattress size	180	200	

Frame	Height
Up to frame	26
Deep frame	14



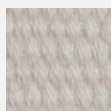
Selected options

Body



Oiled Oak
1015
White oil

Headboard



Cotton webbing
2001
White



Main line flax
MLF02
Archway

Indicated materials and colours are selected by Gazzda as best-selling items and their lead time is shorter than of made-to-order options. Please consult the current price list or our customer service for the lead time of selected options.

For other material options, please see the Available materials section at the end of the product sheet.

Fawn bed UK double size - normal frame

Frame Solid oak, Headboard Cotton webbing



Basic info

Design Salih Teskeredžić

Mattress size W: 135, D: 200
(feet/inch) W: 4' 5", D: 6' 3"
Product size W: 141,5, D: 214, H: 92
Packaging W: 109, D: 240, H: 11
Volume (total) 0,29 m³
Net weight 25 kg
Gross weight 30,9 kg

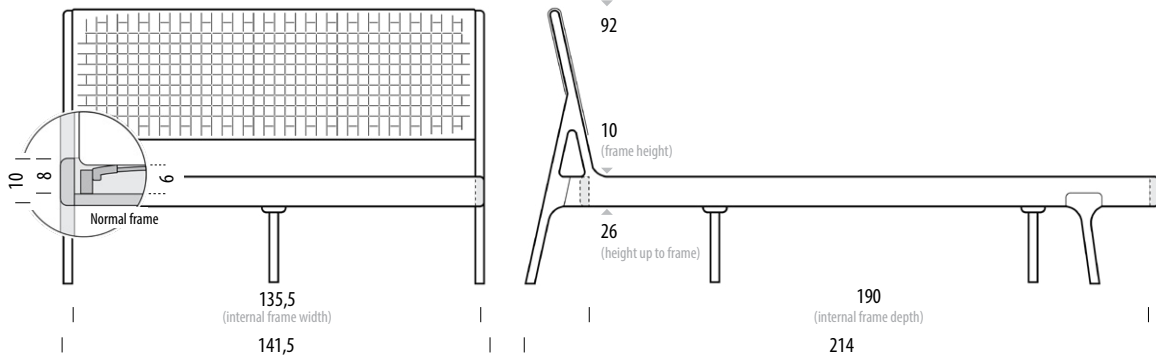


Item no. OBC

Internal space	Width	Depth	Height
Frame size	135,5	190	8
Mattress size	135	190	

Assembly 30 min / 2 persons

Frame	Height
Up to frame	26
Normal frame	10



Fawn bed UK king size - normal frame

Frame Solid oak, Headboard Cotton webbing



Version: 28-3-2022

Basic info

Design	Salih Teskeredžić
Mattress size (feet/inch)	W: 150, D: 200 W: 4' 11", D: 6' 7"
Product size	W: 156,5, D: 224, H: 92
Packaging	W: 109, D: 240, H: 11
Volume (total)	0,29 m ³
Net weight	26,5 kg
Gross weight	32,6 kg

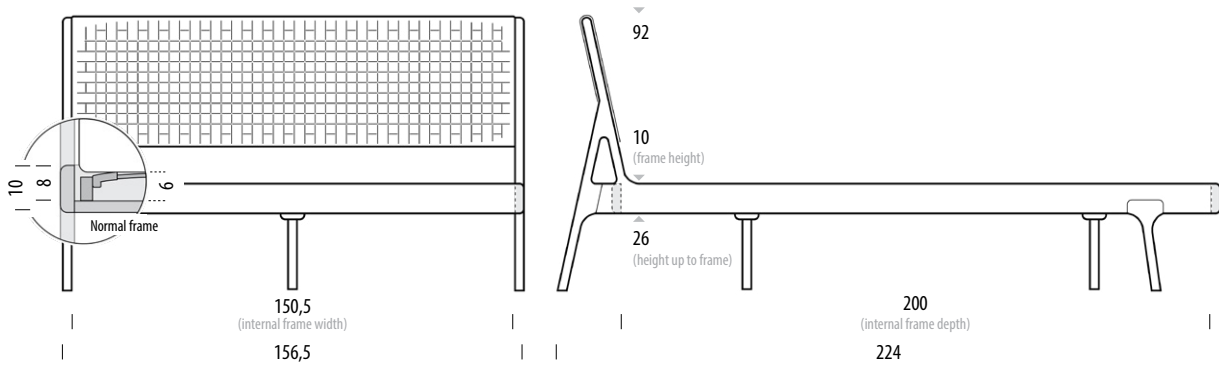


Item no. 0BD

Internal space	Width	Depth	Height
Frame size	150,5	200	8
Mattress size	150	200	

Assembly 30 min / 2 persons

Frame	Height
Up to frame	26
Normal frame	10



Fawn bed UK super king size - normal frame

Frame Solid oak, Headboard Cotton webbing



Version: 28-3-2022

Basic info

Design Salih Teskeredžić

Mattress size W: 180, D: 200

(feet/inch) W: 5' 11", D: 6' 7"

Product size W: 186,5, D: 224, H: 92

Packaging W: 109, D: 240, H: 11

Volume (total) 0,29 m³

Net weight 31,5 kg

Gross weight 37,2 kg

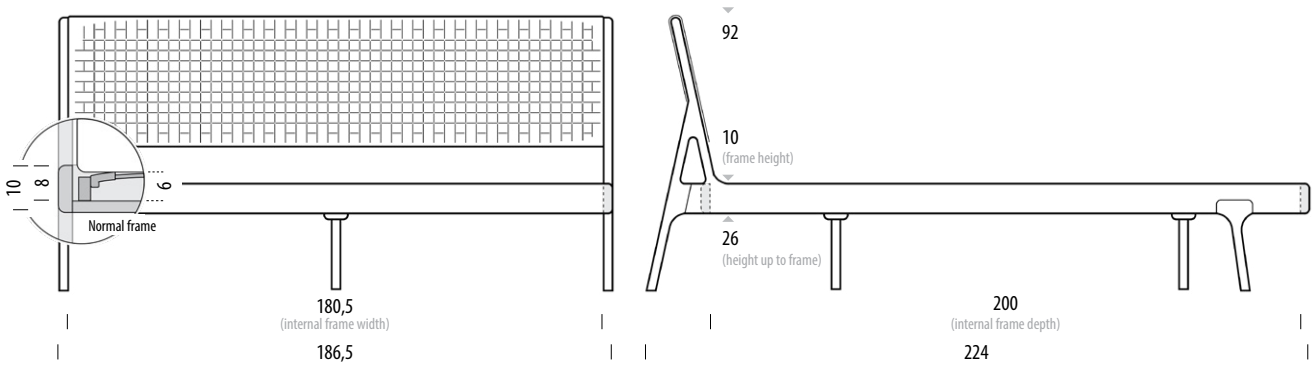


Item no. OBF

Internal space	Width	Depth	Height
Frame size	180,5	200	8
Mattress size	180	200	

Assembly 30 min / 2 persons

Frame	Height
Up to frame	26
Normal frame	10



Fawn bed AUS queen size - normal frame

Frame Solid oak, Headboard Cotton webbing / Upholstered



Version: 28-3-2022

Basic info

Design Salih Teskeredžić

Mattress size W: 153, D: 203

Product size W: 161, D: 229, H: 92

Packaging W: 109, D: 240, H: 11

Volume (total) 0,29 m³

Net weight 27 kg

Gross weight 33,2 kg

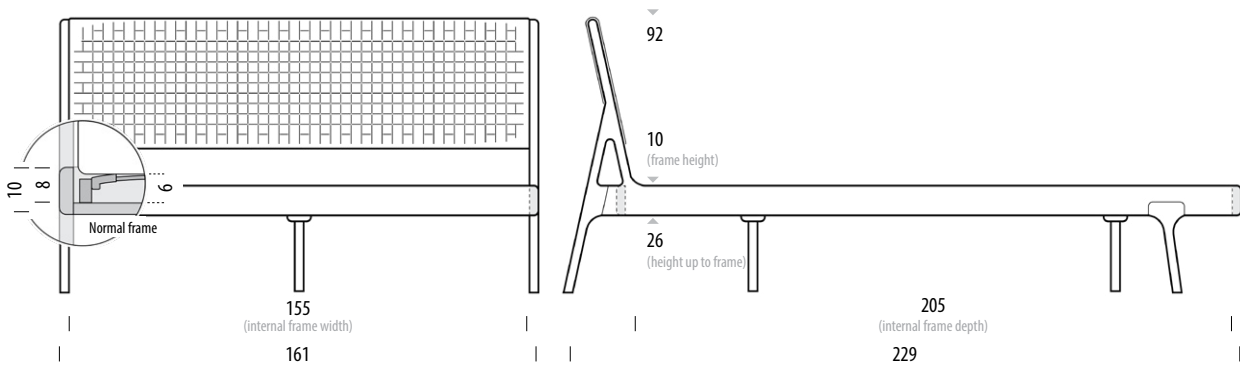


Item no. 027 / OAA

Internal space	Width	Depth	Height
Frame size	155	205	8
Mattress size	153	203	

Assembly 30 min / 2 persons

Frame	Height
Up to frame	26
Normal frame	10



Fawn bed AUS king size - normal frame

Frame Solid oak, Headboard Cotton webbing / Upholstered



Version: 28-3-2022

Basic info

Design Salih Teskeredžić

Mattress size W: 183, D: 203

Product size W: 191, D: 229, H: 92

Packaging W: 109, D: 240, H: 11

Volume (total) 0,29 m³

Net weight 33 kg

Gross weight 39,2 kg

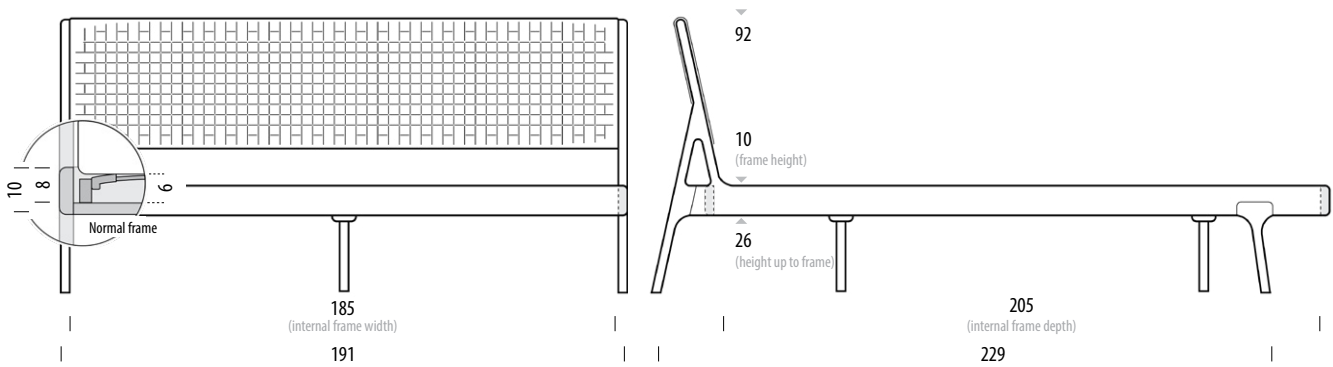


Item no. 028 / OAE

Internal space	Width	Depth	Height
Frame size	185	205	8
Mattress size	183	203	

Assembly 30 min / 2 persons

Frame	Height
Up to frame	26
Normal frame	10



Fawn bed US queen size - deep frame

Frame Solid oak, Headboard Cotton webbing / Upholstered



reddot award 2016
winner

Version: 28-3-2022

Basic info

Design Salih Teskeredžić

Mattress size W: 153, D: 203
Product size W: 161, D: 230, H: 92
Packaging W: 109, D: 240, H: 11
Volume (total) 0,29 m³
Net weight 37,0 kg
Gross weight 43,2 kg

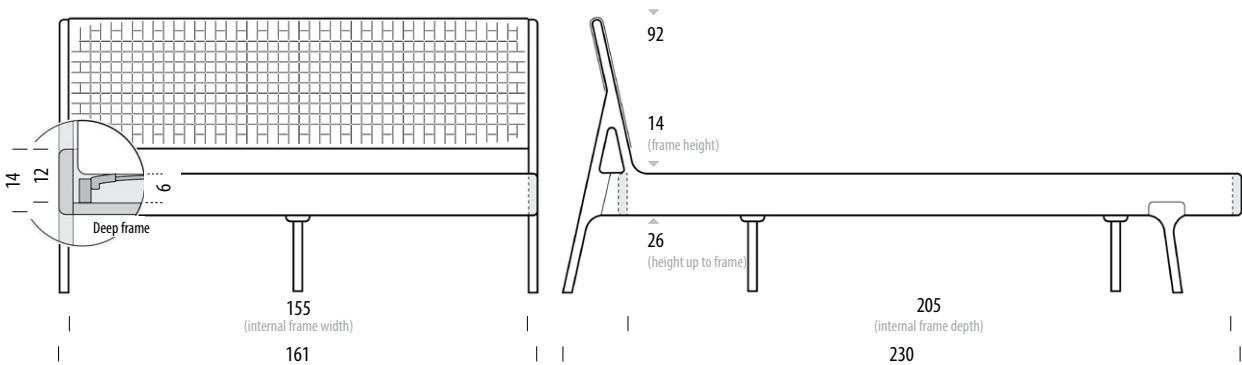


Item no. 167 / 146

Internal space	Width	Depth	Height
Frame size	155	205	12
Mattress size	153	203	

Assembly 30 min / 2 persons

Frame	Height
Up to frame	26
Deep frame	14



Fawn bed US king size - deep frame

Frame Solid oak, Headboard Cotton webbing / Upholstered



Version: 28-3-2022

Basic info

Design Salih Teskeredžić

Mattress size W: 193, D: 203
Product size W: 201, D: 230, H: 92
Packaging W: 109, D: 240, H: 11
Volume (total) 0,29 m³
Net weight 43,5 kg
Gross weight 49,5 kg

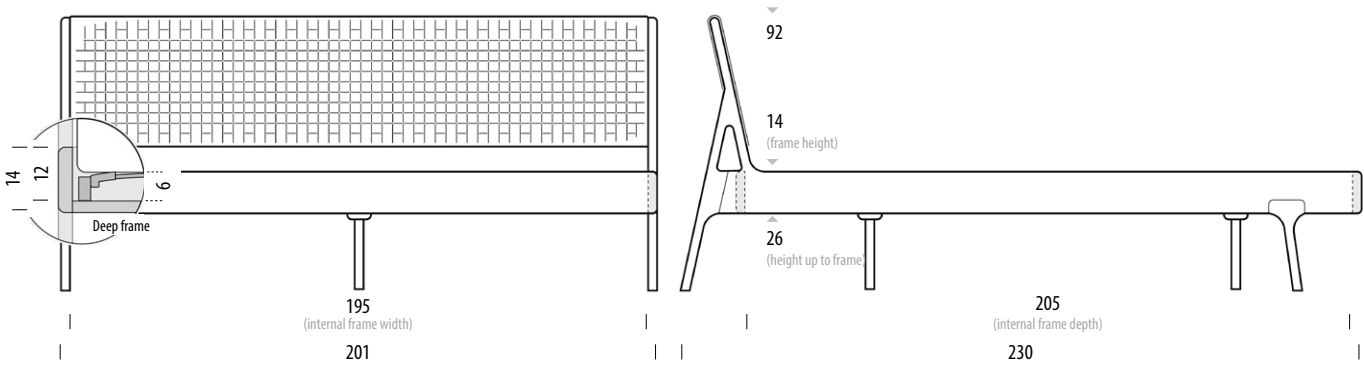


Item no. 166 / 145

Assembly 30 min / 2 persons

Internal space	Width	Depth	Height
Frame size	195	205	12
Mattress size	193	203	

Frame	Height
Up to frame	26
Deep frame	14



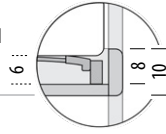
Fawn bed

Possible mattresses and slats combinations

0cm 20 50 100 150 200 250

Scale: 1:40

Normal frame - internal height detail Combinations for 6 cm high slats

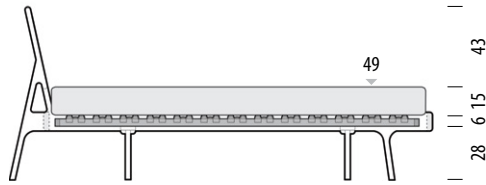
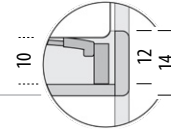


Suitable slats

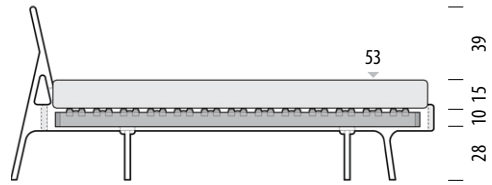
Basic slats (6 cm high) are the highest slats type that would fit a Fawn bed - normal frame. If you have slats higher than 6 cm please observe only the Fawn bed - deep frame.

Basic sprung slats (6 cm high) are available on request as a separate product. Mattress not included.

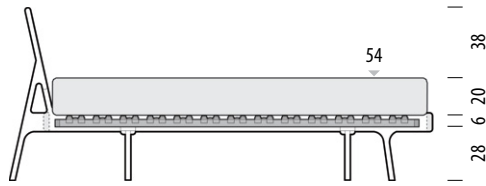
Deep frame - internal height detail Combinations for 10 cm high slats



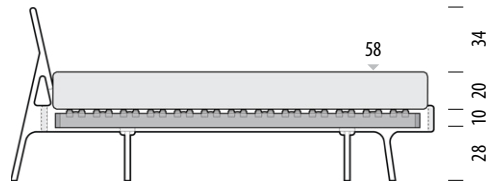
Mattress height 15 cm
Height from the floor 49 cm



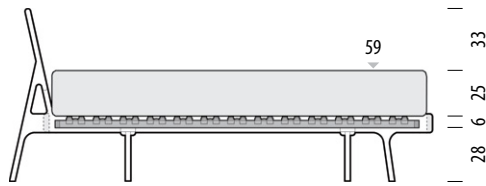
Mattress height 15 cm
Height from the floor 53 cm



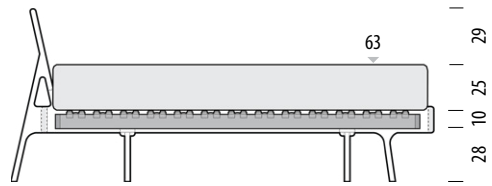
Mattress height 20 cm
Height from the floor 54 cm



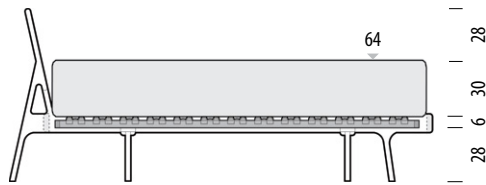
Mattress height 20 cm
Height from the floor 58 cm



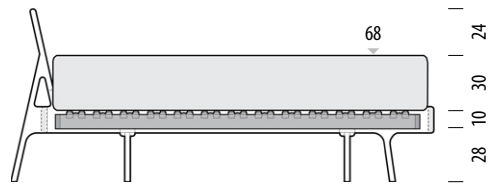
Mattress height 25 cm
Height from the floor 59 cm



Mattress height 25 cm
Height from the floor 63 cm



Mattress height 30 cm
Height from the floor 64 cm



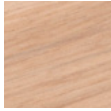
Mattress height 30 cm
Height from the floor 68 cm

Fawn bed

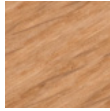
Available materials

Version: 28-3-2022

Frame | Solid oak

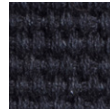


Oiled
1015
White oil



Oiled
1505
Natural oil

Headboard | Cotton webbing



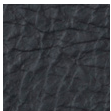
4555
Black



2001
White

Headboard | Leather upholstery

Dakar - by Leder Reinhard



0500
Black



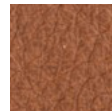
1258
Grey



1436
Stone

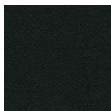


3411
Nature

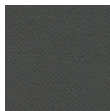


2732
Whisky

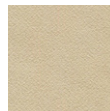
Deca vegan leather - by Camira



DEC20
Downing



DEC05
Decimal



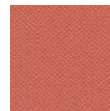
DEC03
Digit



DEC07
Decapod



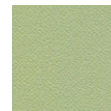
DEC14
Fortune



DEC09
Tien



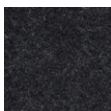
DEC11
Richter



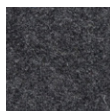
DEC15
Catenia

Headboard | Fabric upholstery

Facet felt - by Textaafoam



1003
Zwart



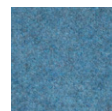
1001
Middengrijs



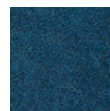
74
Aubergine



24
Yellow



41
Light Blue



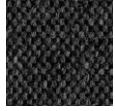
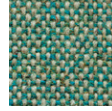
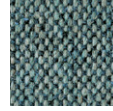
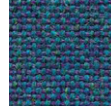
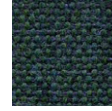
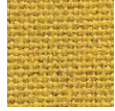
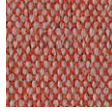
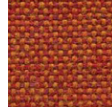
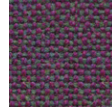
56
Petrol

Fawn bed

Available materials

Version: 28-3-2022

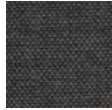
Main line flax - by Camira

MLF16
TempleMLF02
ArchwayMLF10
NewburyMLF24
BayswaterMLF22
WestminsterMLF38
RusselMLF32
GreenfordMLF18
TufnellMLF17
TootingMLF03
BarbicanMLF13
LeytonMLF41
Hillingdon

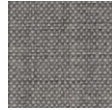
Remix - by Kvadrat



0753



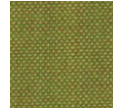
0163



0123



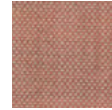
0823



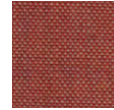
0912



0933



0612

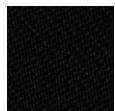
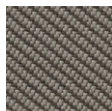
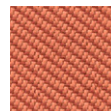


0632

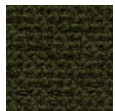
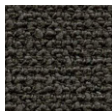
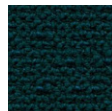
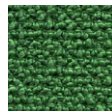
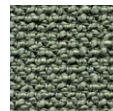
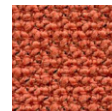
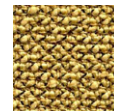


0762

Oceanic - by Camira

OOC01
FlotsamOOC08
BayOOC14
RiptideOOC13
PaddleOOC11
NeptuneOOC05
CoralOOC07
Barrier

Yoredale - by Camira

UDA08
GayleUDA25
LeyburnUDA17
RibbleUDA10
CrayUDA04
HardrawUDA02
KidstoneUDA03
AskriggUDA05
Simonstone

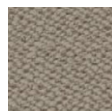
Vidar - by Kvadrat



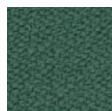
0182



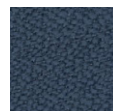
0133



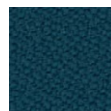
0222



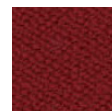
0943



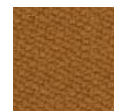
0733



0872



0582



0472