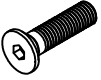


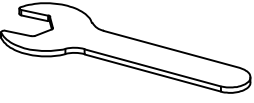
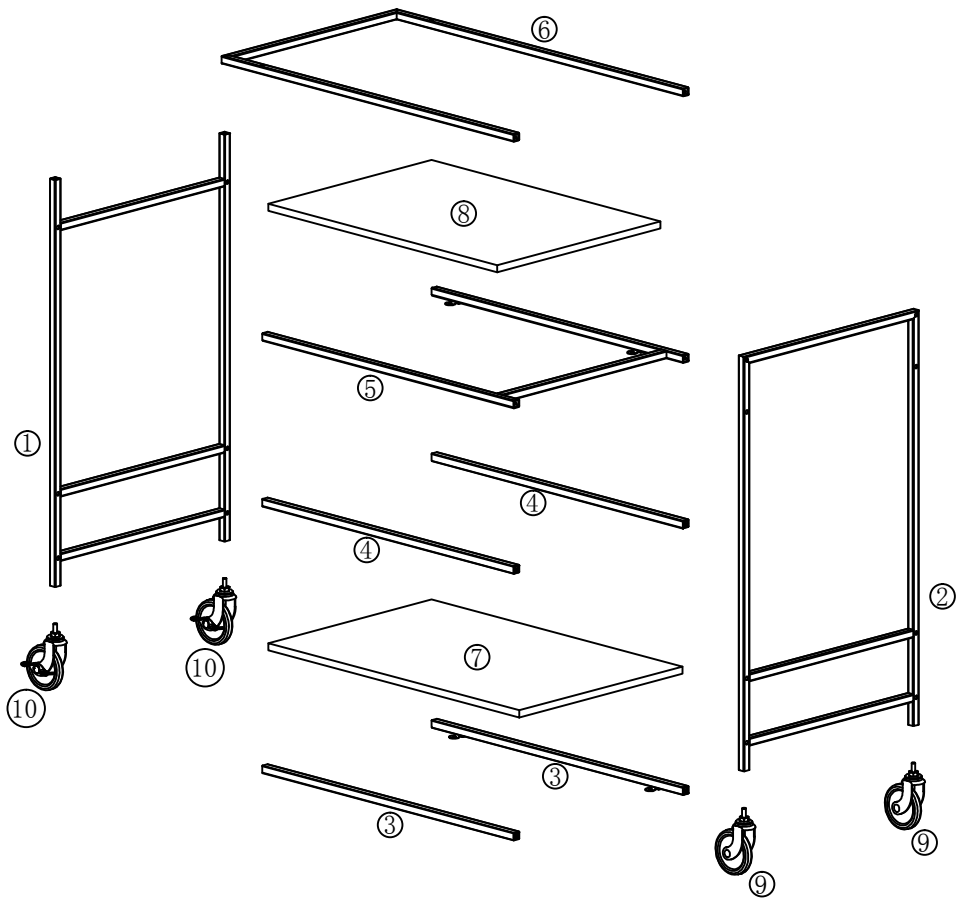
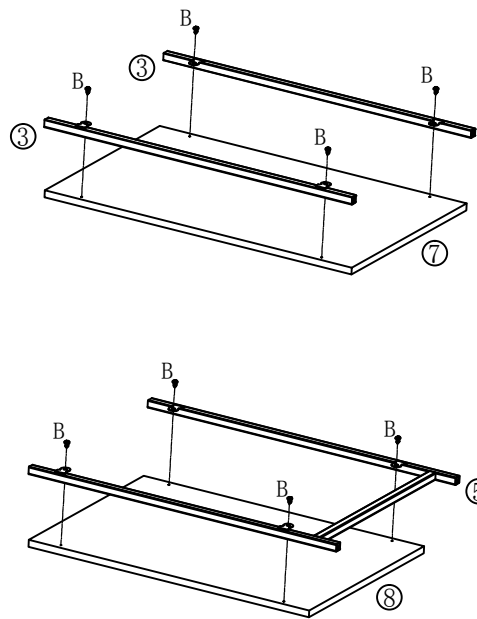


|                                                                                   |     |                                                                                   |    |                                                                                    |    |                                                                                     |    |
|-----------------------------------------------------------------------------------|-----|-----------------------------------------------------------------------------------|----|------------------------------------------------------------------------------------|----|-------------------------------------------------------------------------------------|----|
| A                                                                                 | ×16 | B                                                                                 | ×8 | C                                                                                  | ×1 | D                                                                                   | ×1 |
|  |     |  |    |  |    |  |    |
| M5×25                                                                             |     | ∅4×10                                                                             |    | M3                                                                                 |    | 14×87×2                                                                             |    |

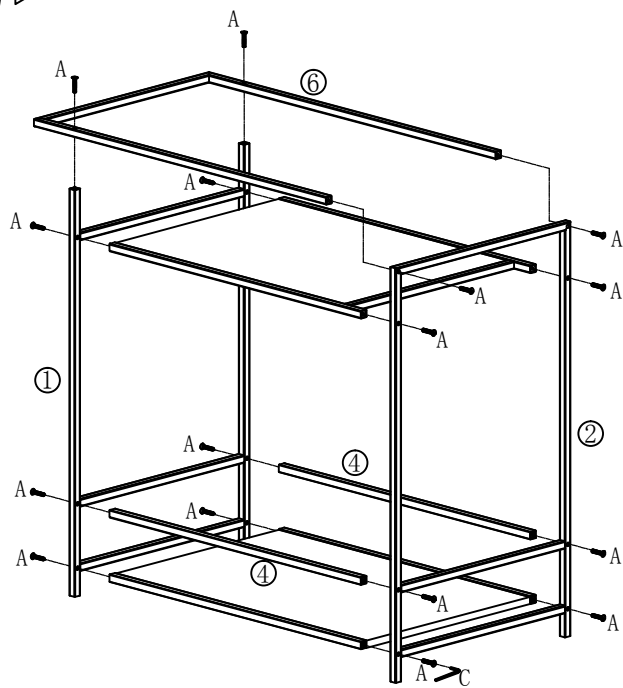


1▷

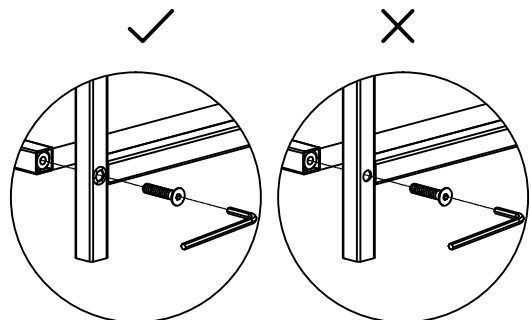


|                    |    |  |
|--------------------|----|--|
| B                  | ×8 |  |
|                    |    |  |
| $\phi 4 \times 10$ |    |  |

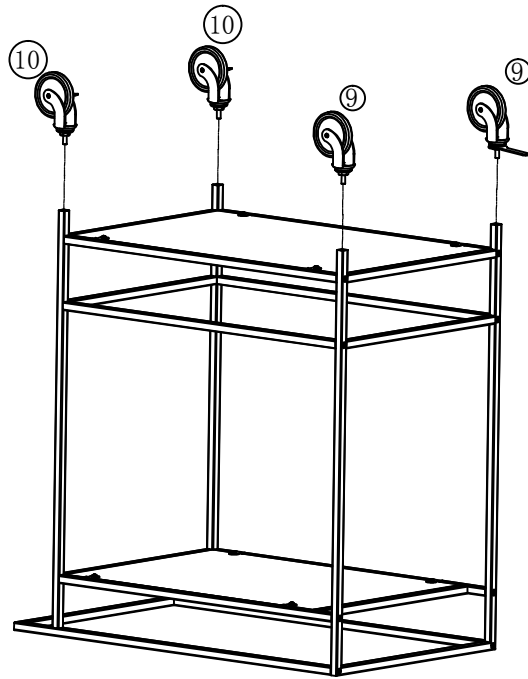
2▷

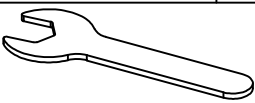


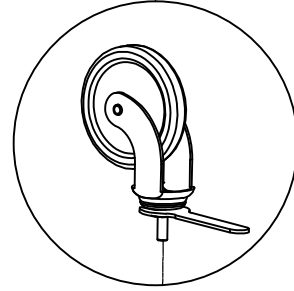
|                |     |      |    |
|----------------|-----|------|----|
| A              | ×16 | C    | ×1 |
|                |     |      |    |
| $M5 \times 25$ |     | $M3$ |    |



3▷



|                                                                                     |    |
|-------------------------------------------------------------------------------------|----|
| D                                                                                   | ×1 |
|  |    |
| 14×87×2                                                                             |    |



4▷

