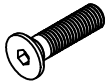


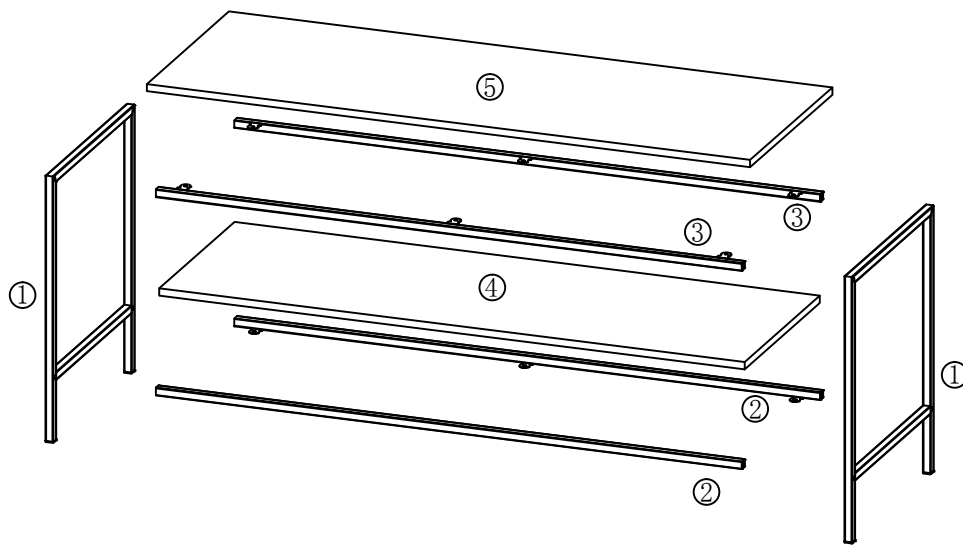
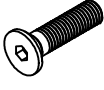

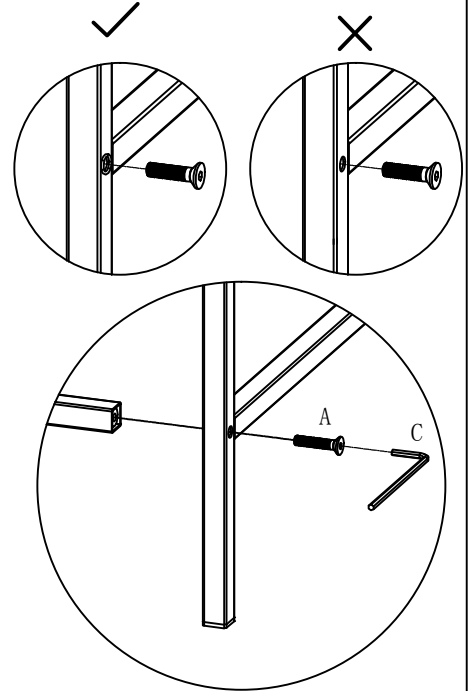
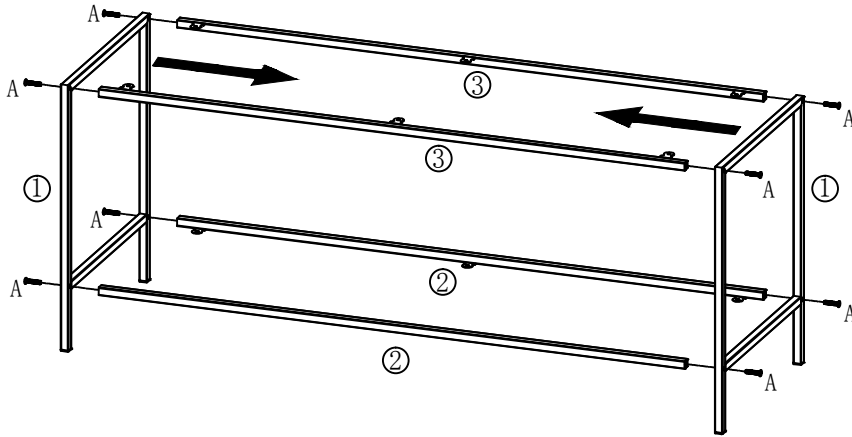


A	×8	B	×12	C	×1
					
M5×25		Ø4×10		M3	

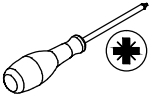



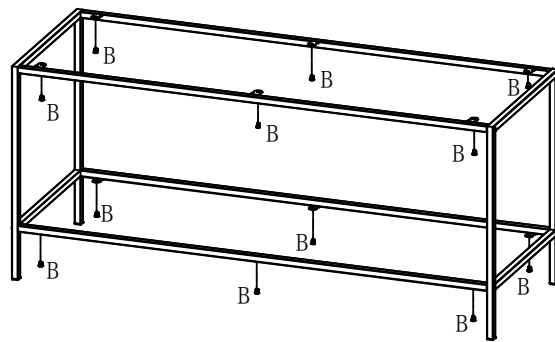
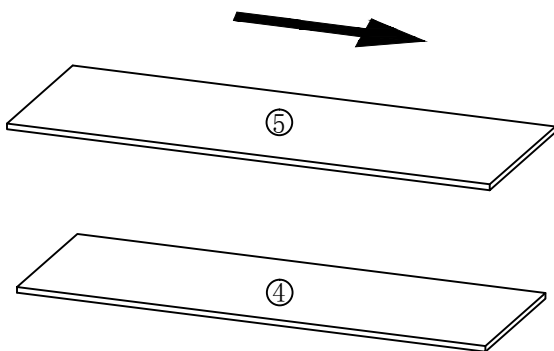
1▷

A	×8	C	×1
			
M5 × 25		M3	



2▷

B	×12	
		
φ4 × 10		



3 ▷

