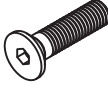



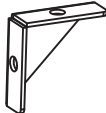

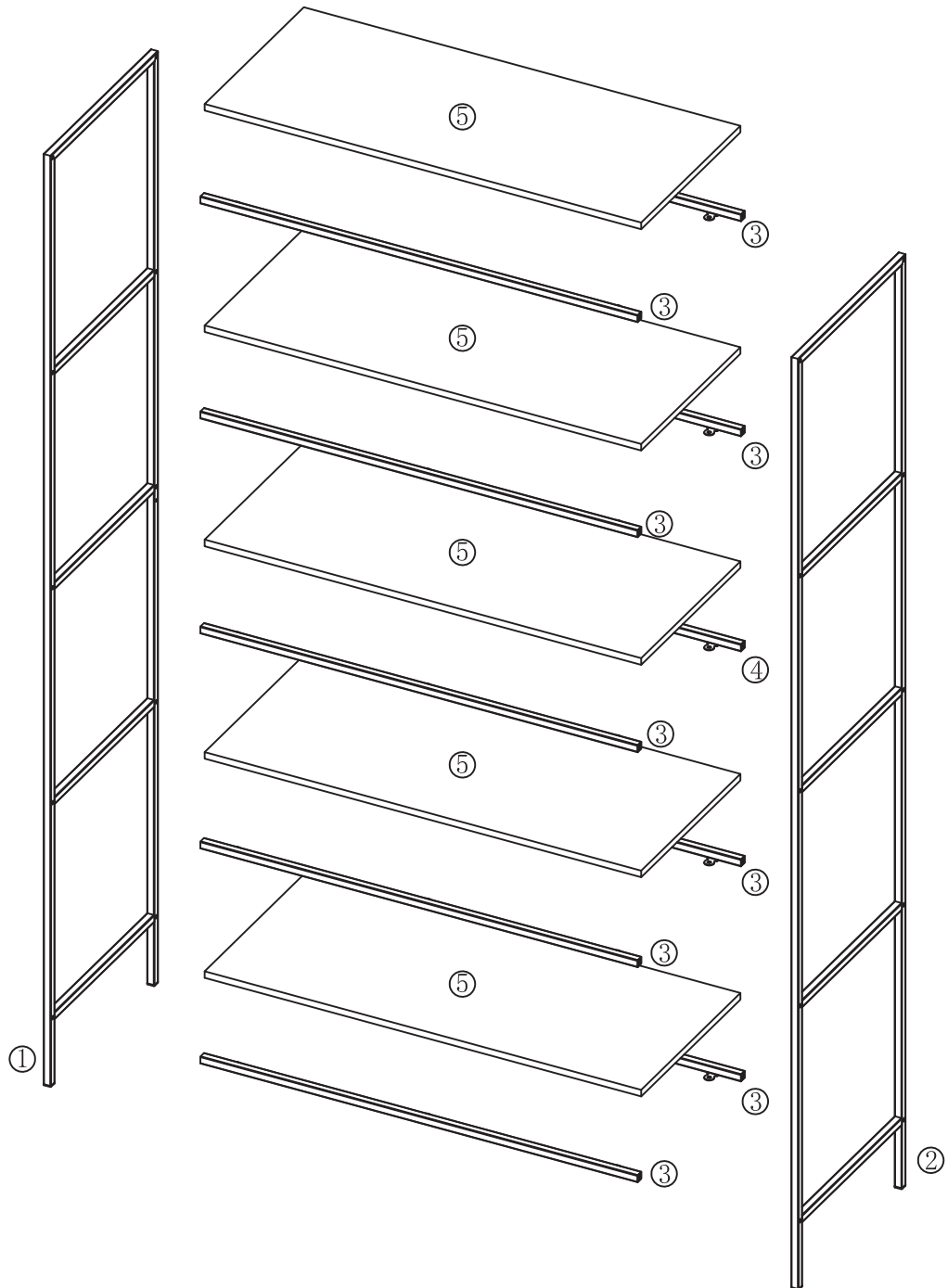
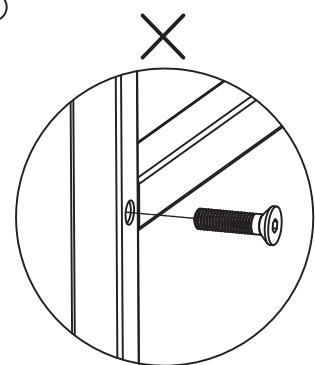
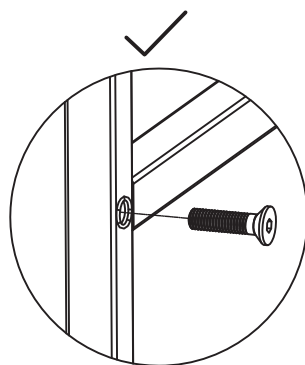
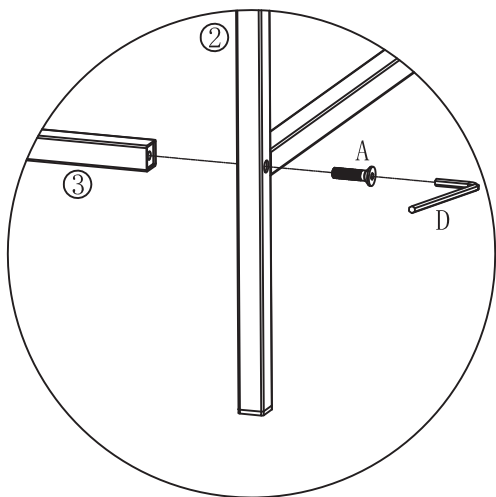
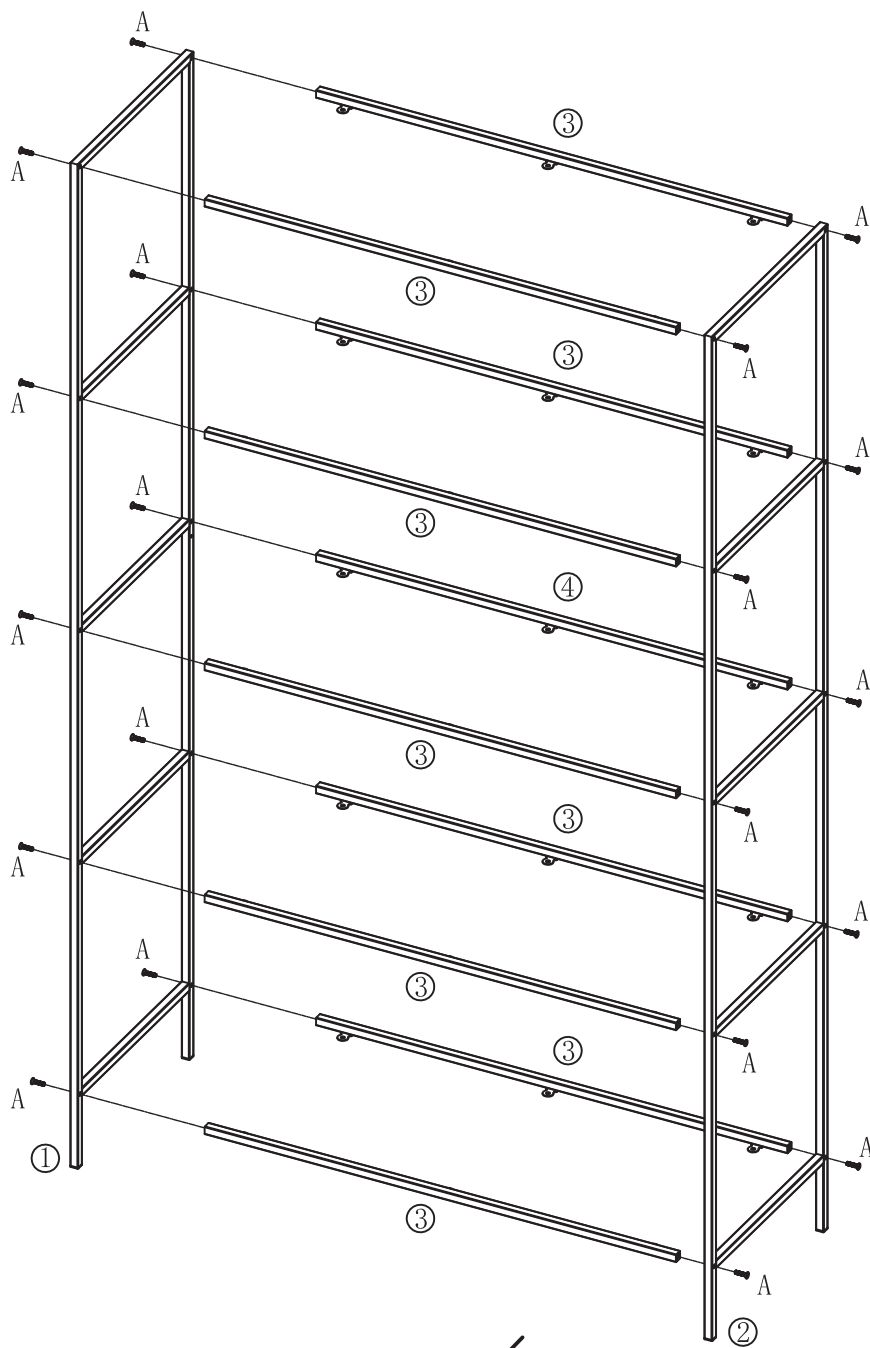


A	×20	B	×6	C	×30
					
M5×25		M5×8		φ4×10	

D	×1	E	×2	F	×2
					
M3					

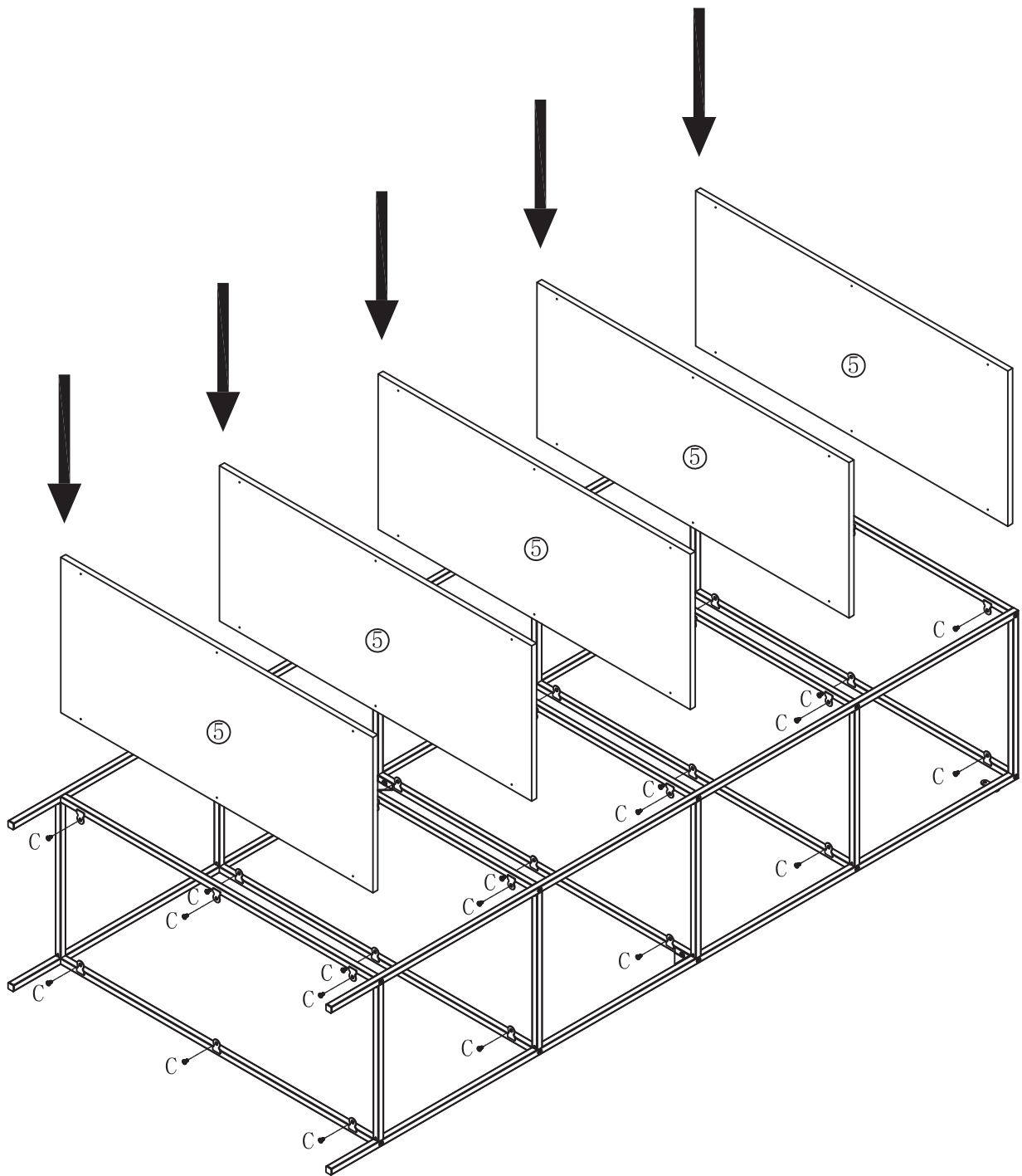


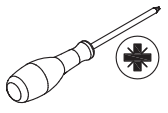

1 ▷



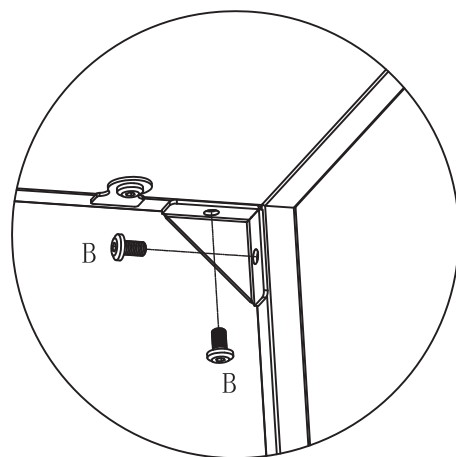
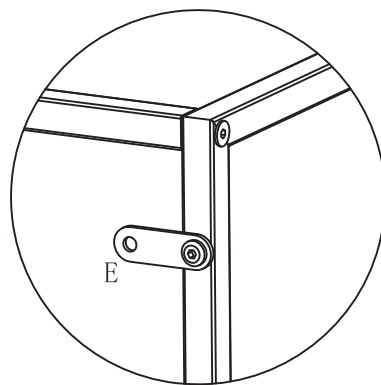
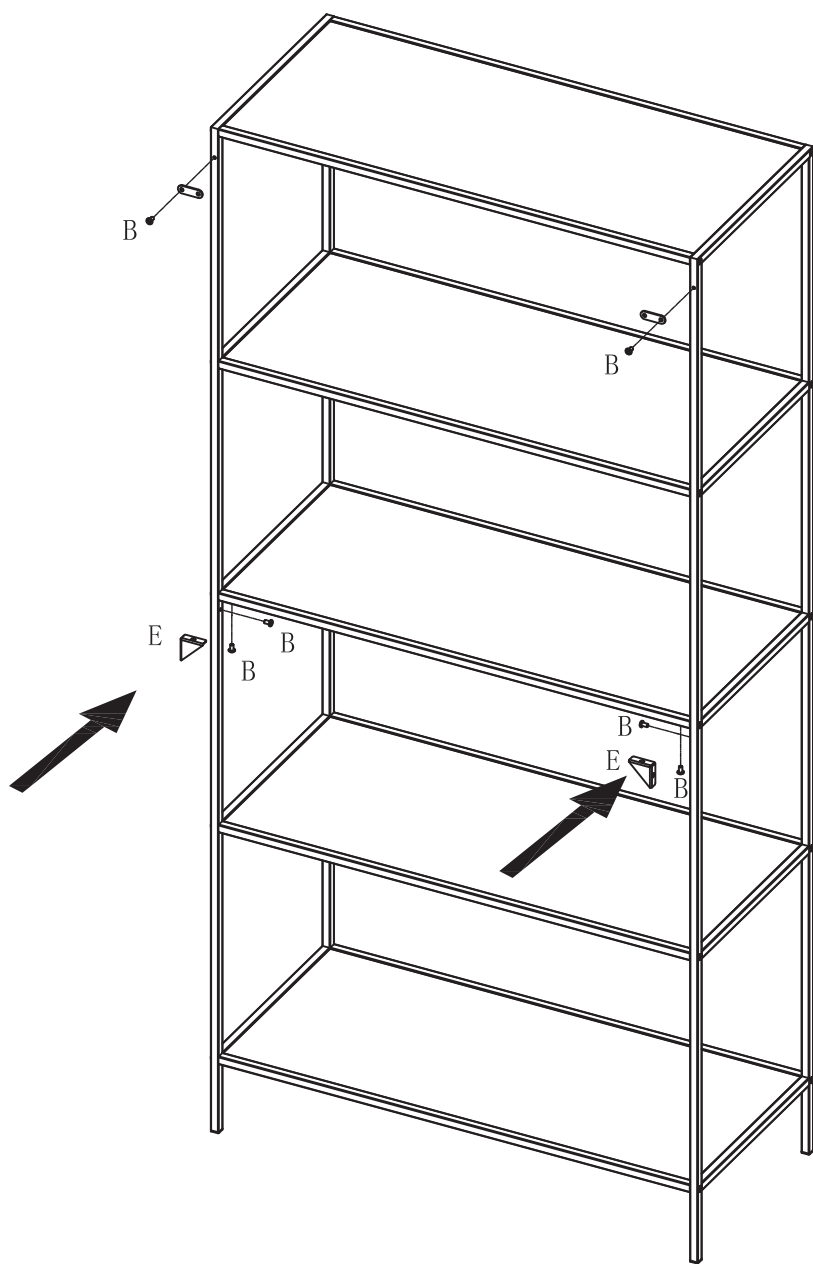
A	× 20	D	× 1
M5 × 25		M3	




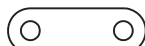
2▷



C	× 30	
		
∅4 × 10		

3 ▷



B	×6	D	×1	E	×2	F	×2
							
M5×8		M3					

4▷

