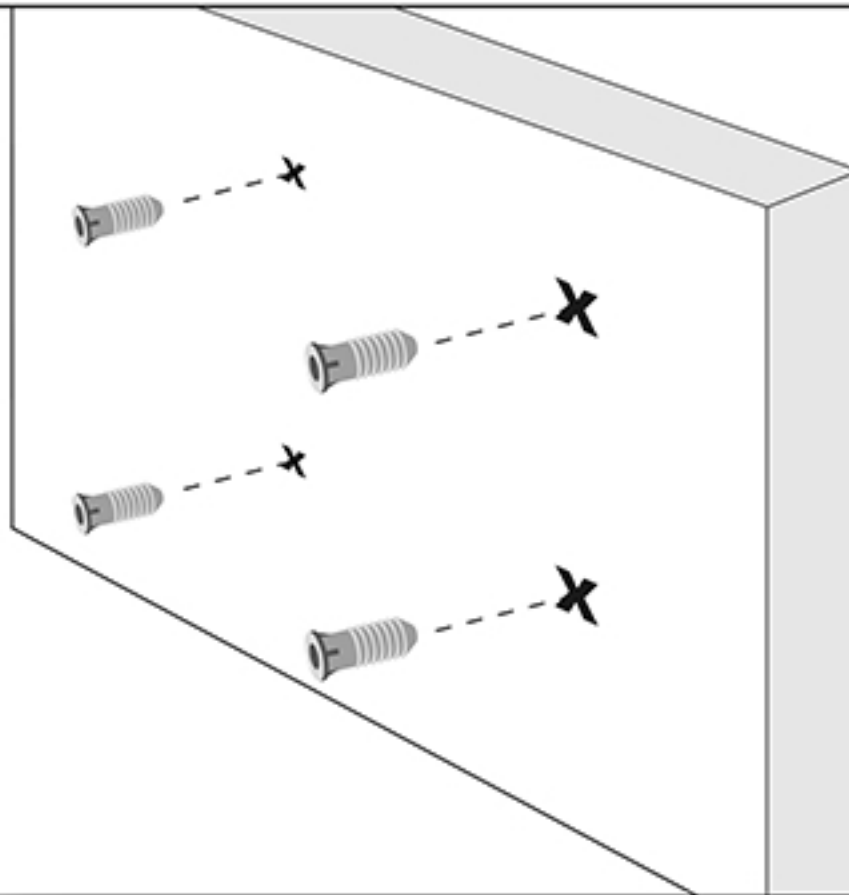
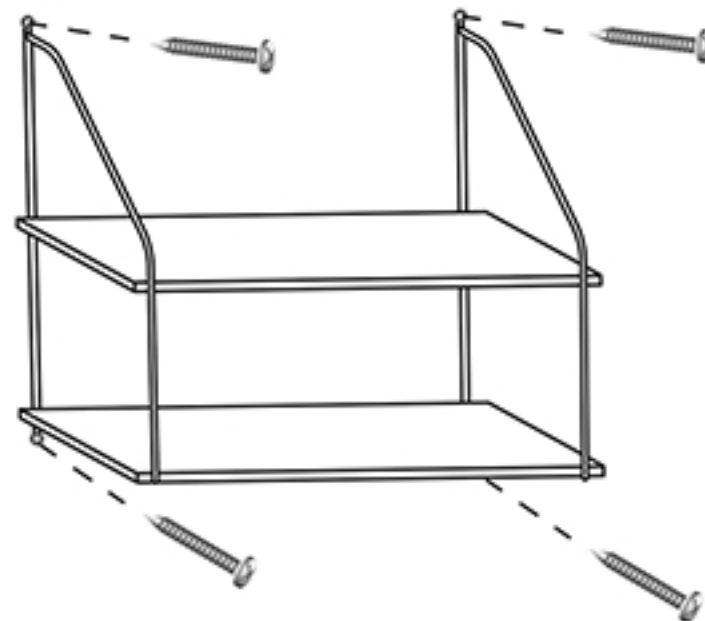




STEP - 1






STEP - 2



**PART LIST**

PART NO.	PART PHOTOGRAPH	PART NAME	QUANTITY
<b>a</b>			<b>2</b>
<b>b</b>			<b>2</b>

**ASSEMBLING TOOLS**

1			
2			
3			

Choosing screws and plugs are customers own responsibility.