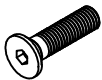


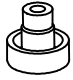
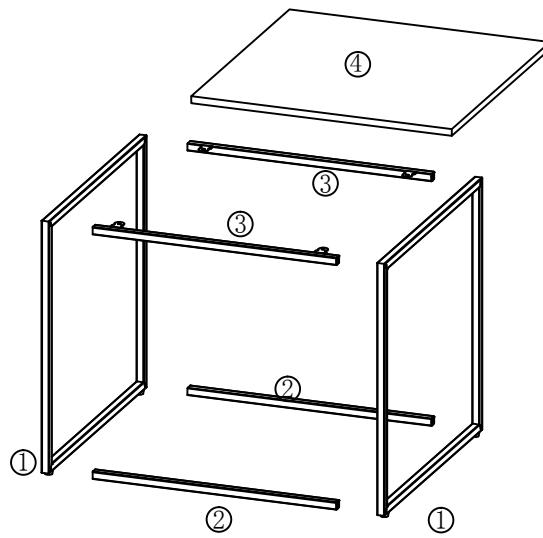
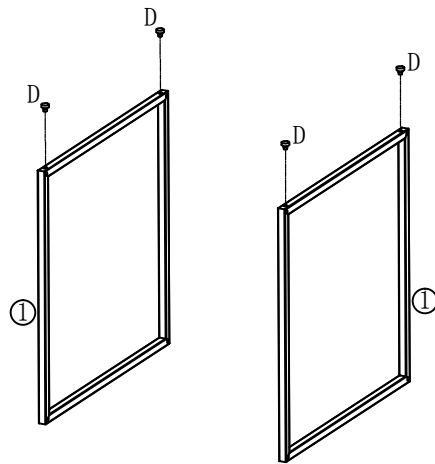
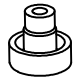
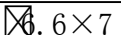


A	×8	B	×4	C	×1	D	×4
							
M5×25		☒×10		M3		☒6.6×7	

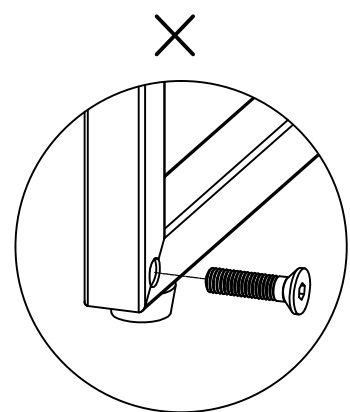
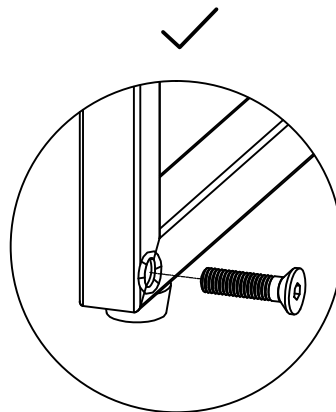
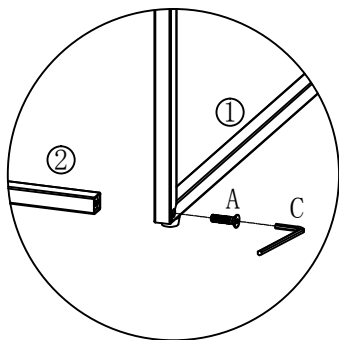
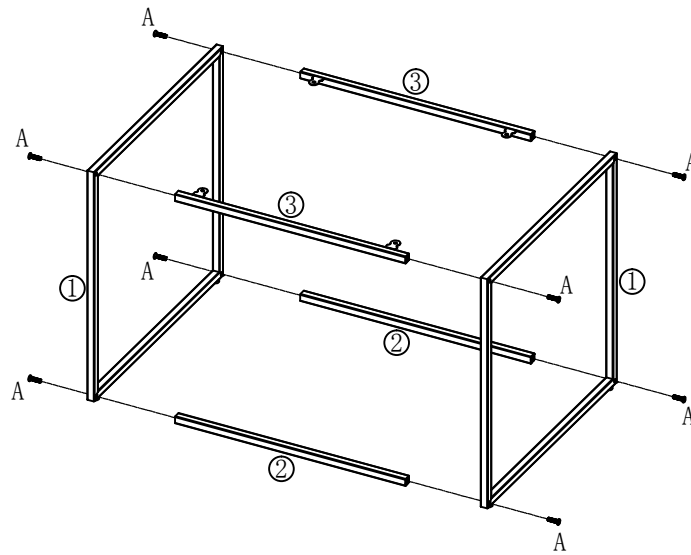


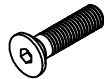

1▷



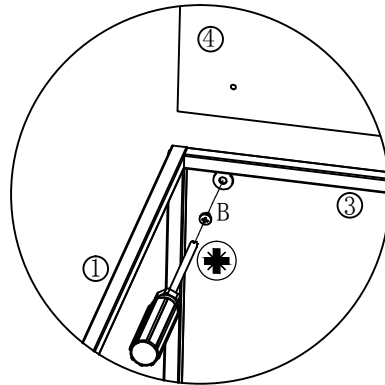
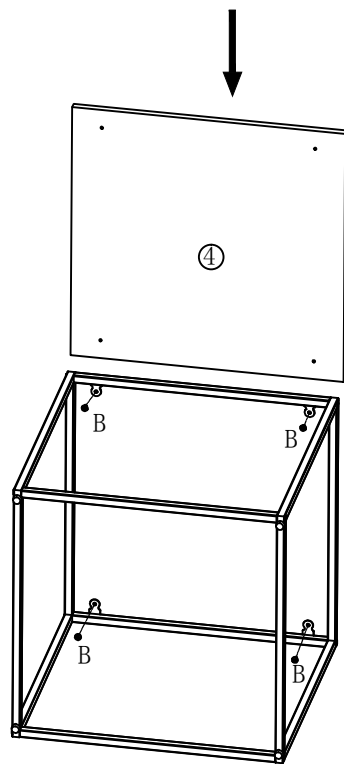
D	×4
	
	

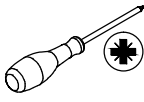

2▷



A	×8	C	×1
			
M5 × 25		M3	

3▷



B	×4	
		
☒ ×10		

4▷

