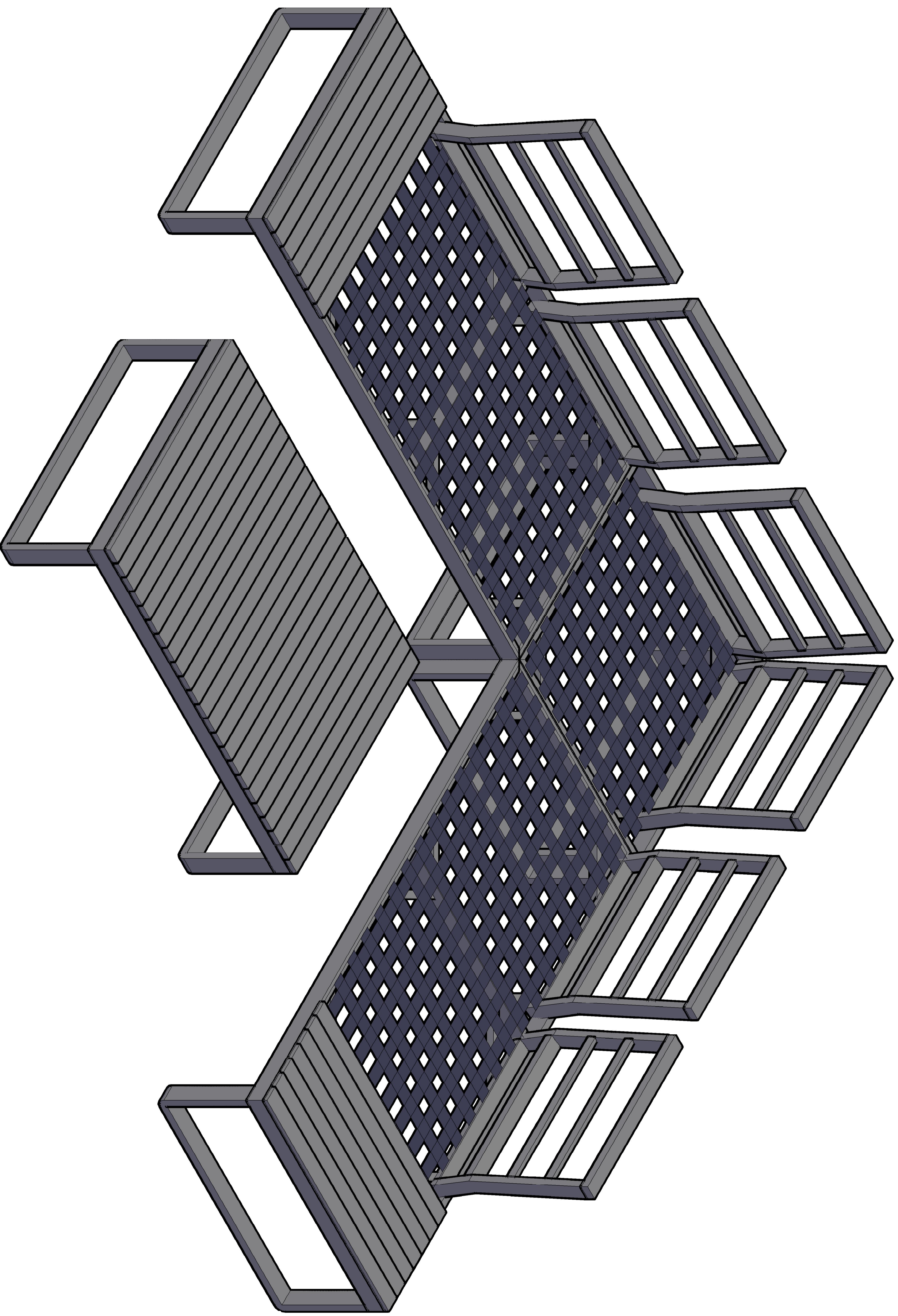
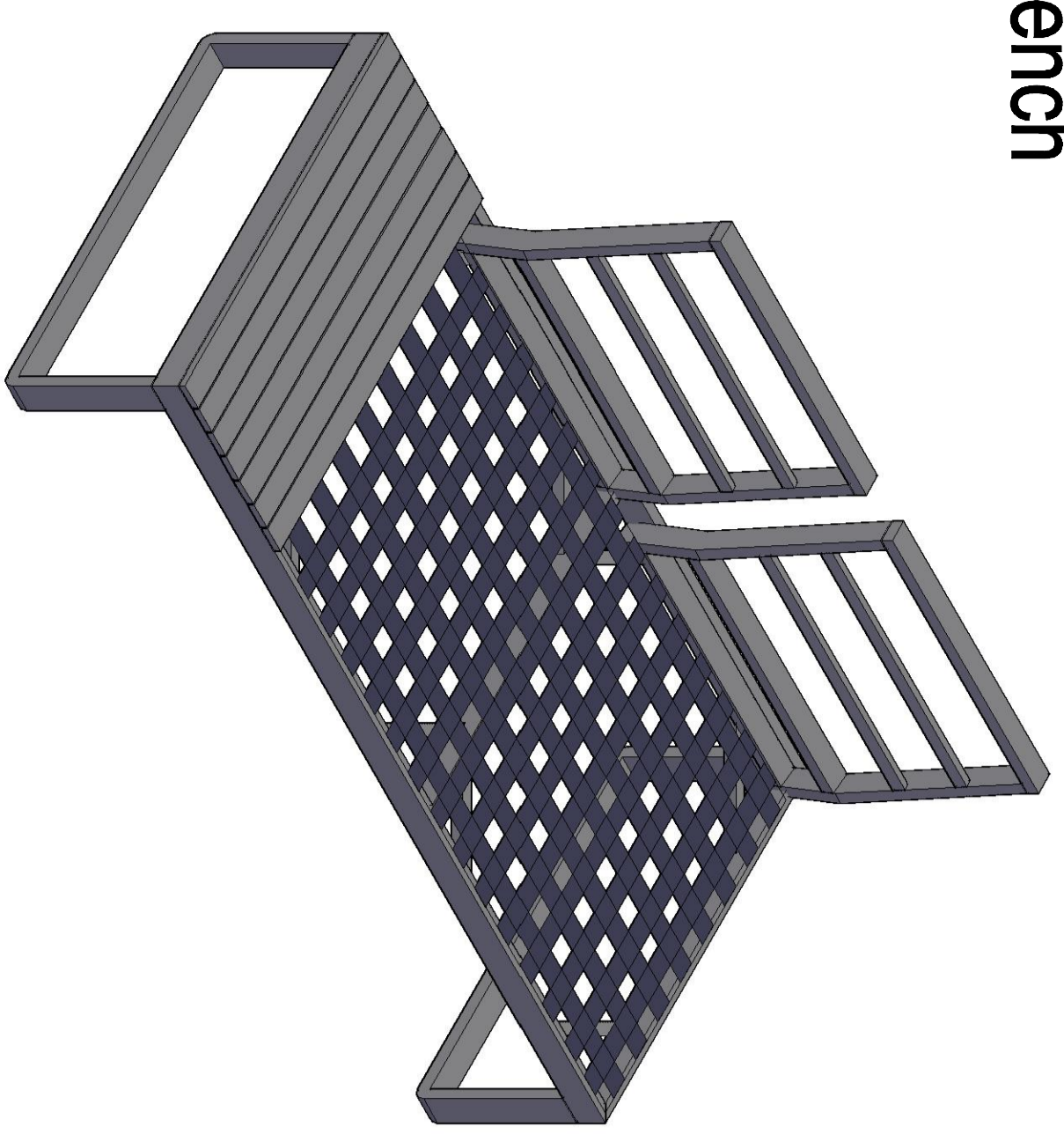


# ASSEMBLY INSTRUCTION

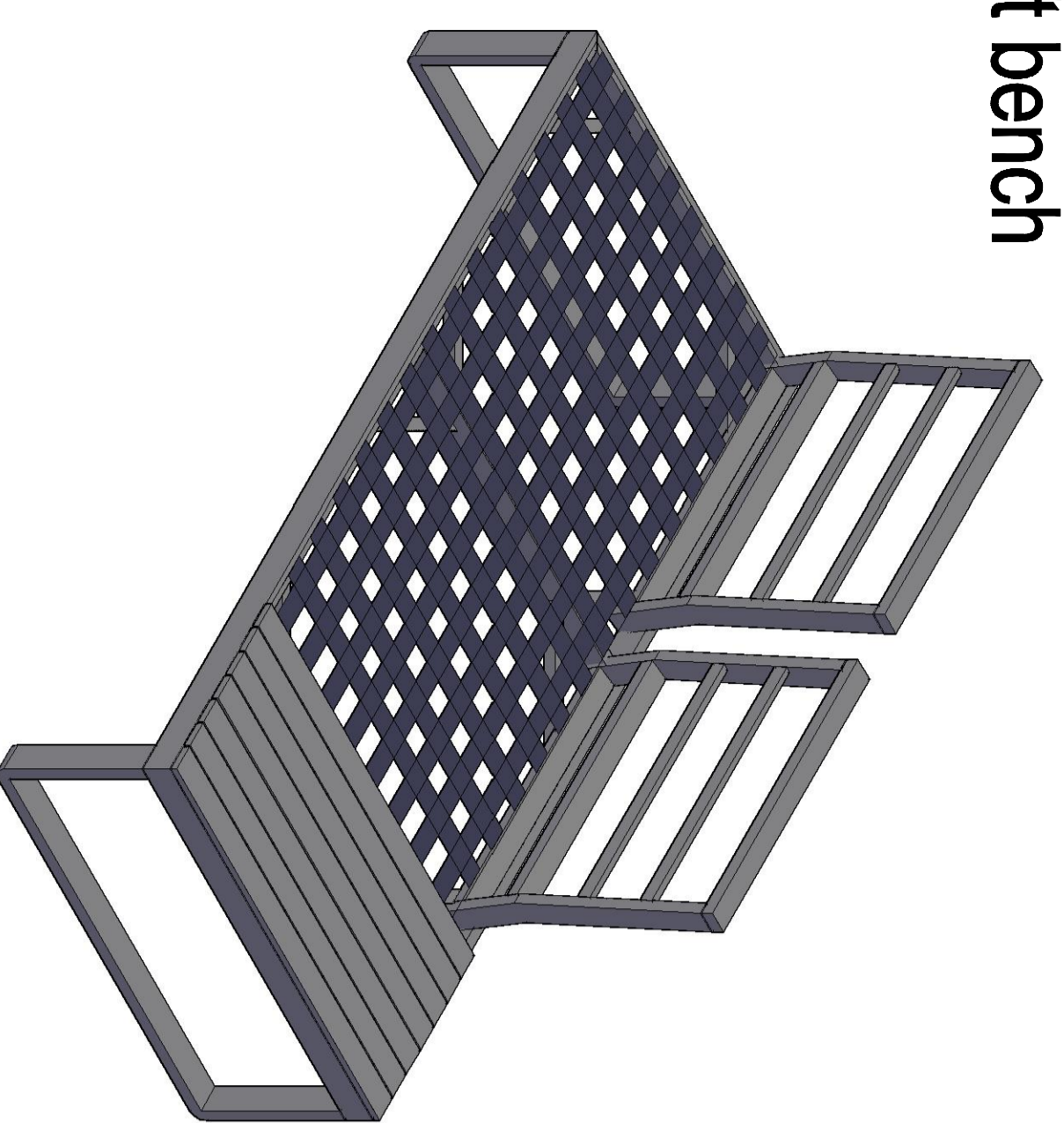


# ASSEMBLY INSTRUCTION

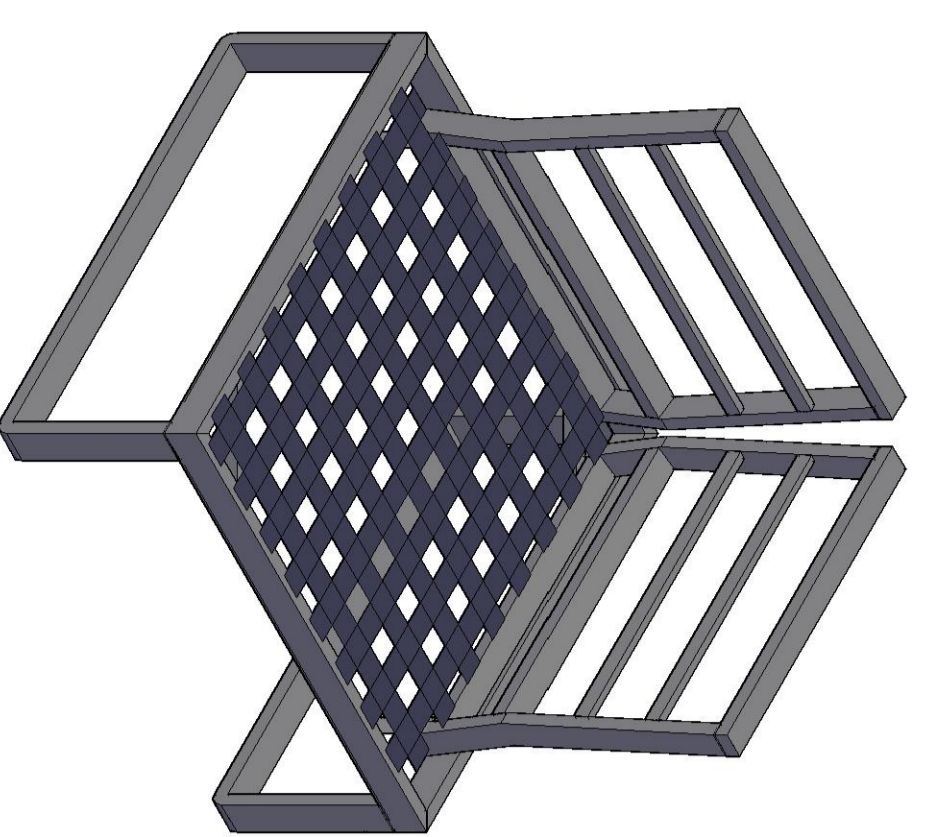
(1) Right bench



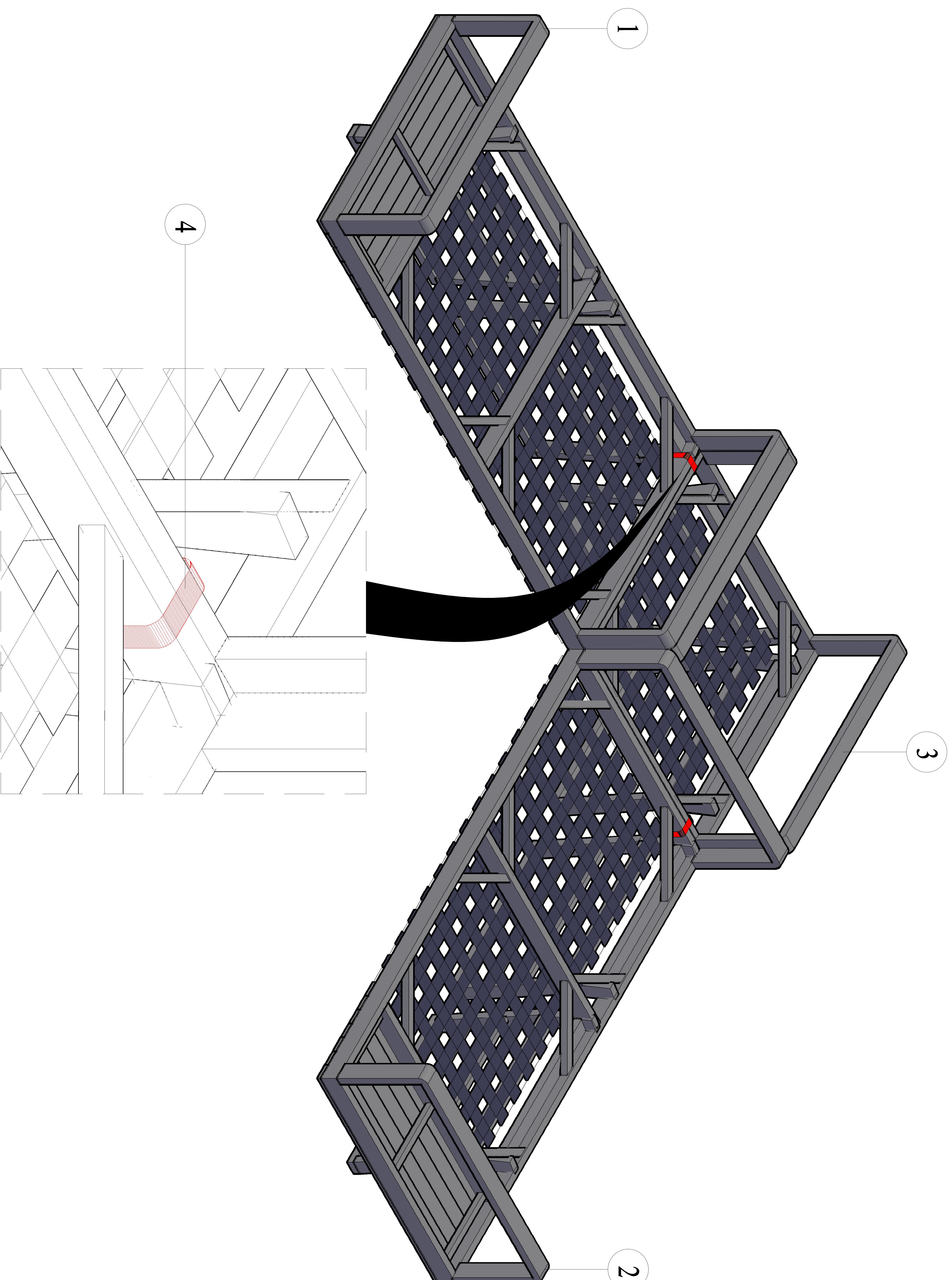
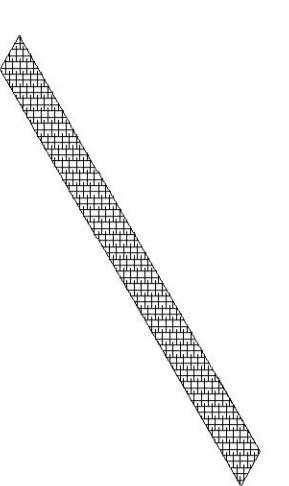
(2) Left bench



(3) Corner

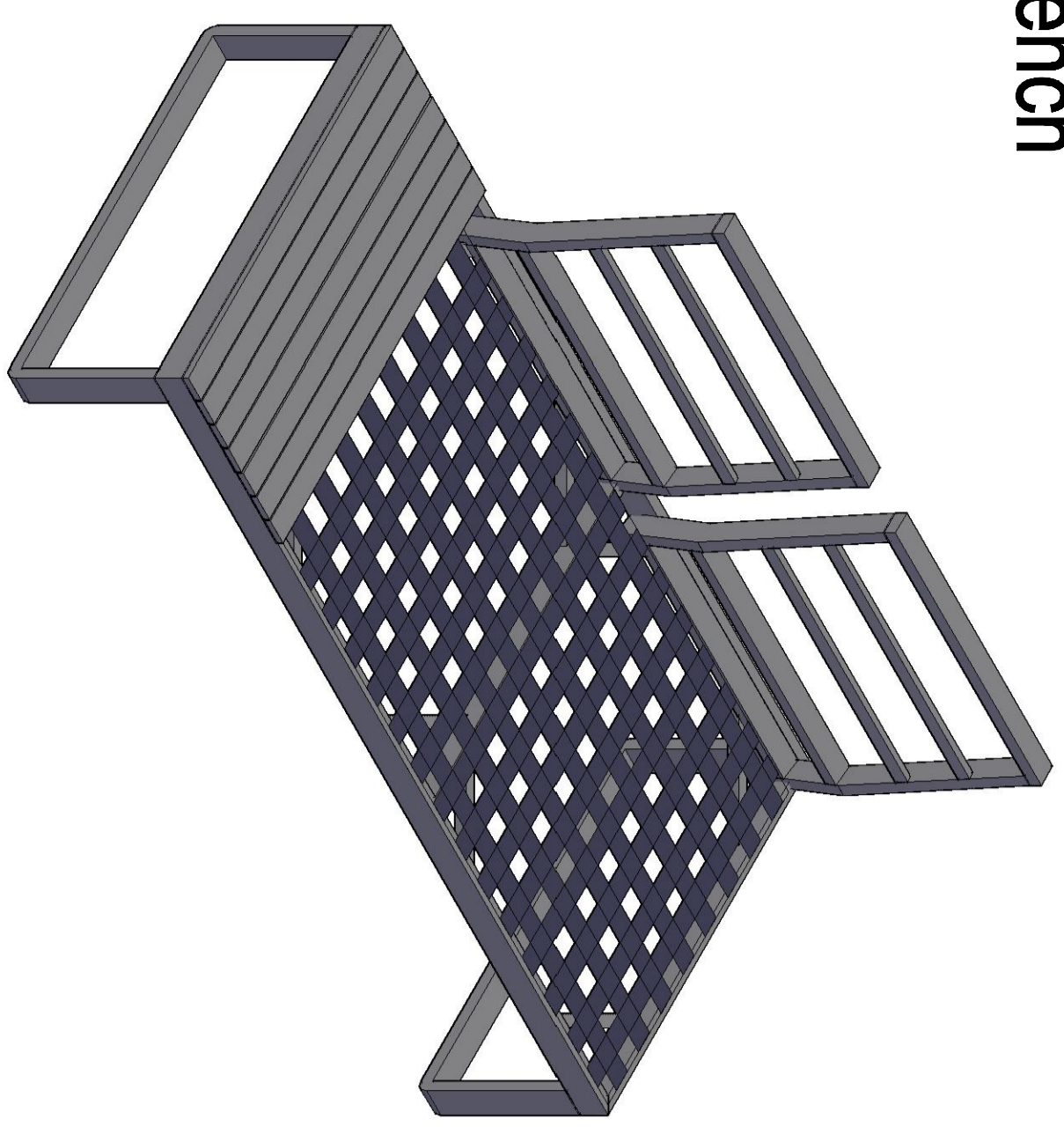


(4) = 2

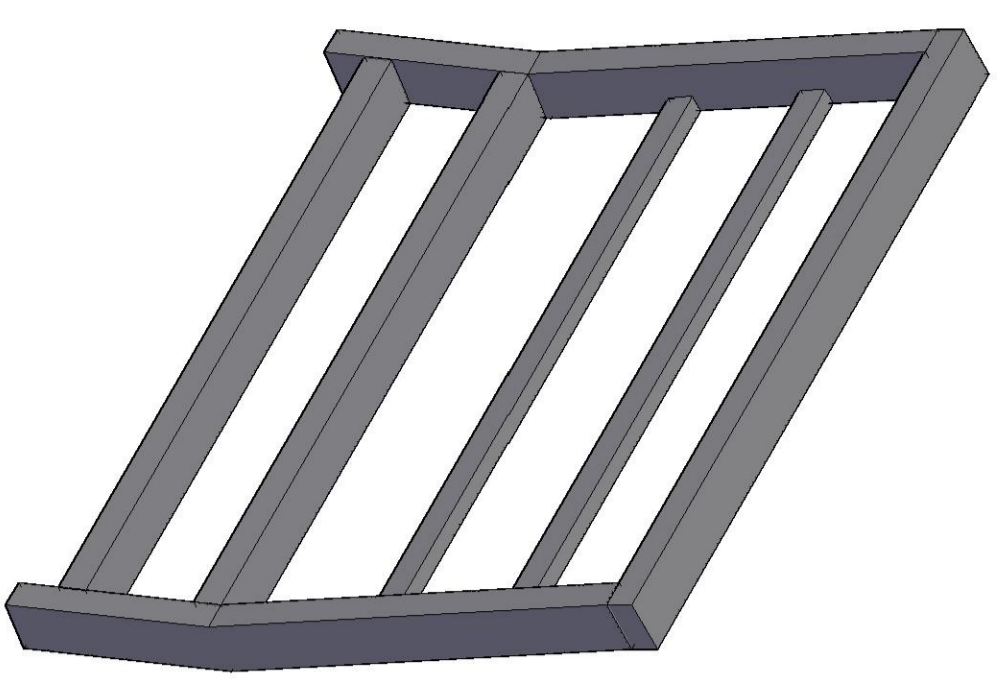


# ASSEMBLY INSTRUCTION

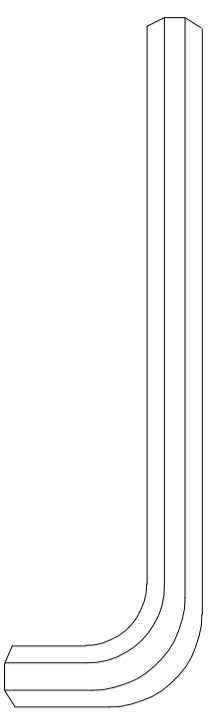
(1) Right bench



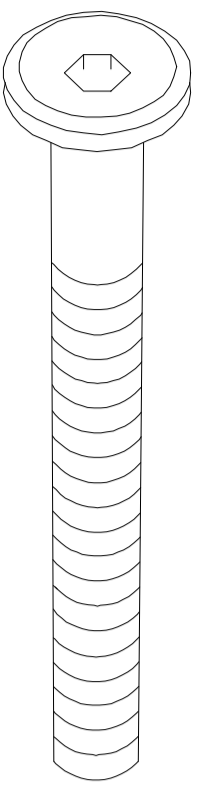
(2) Backrest



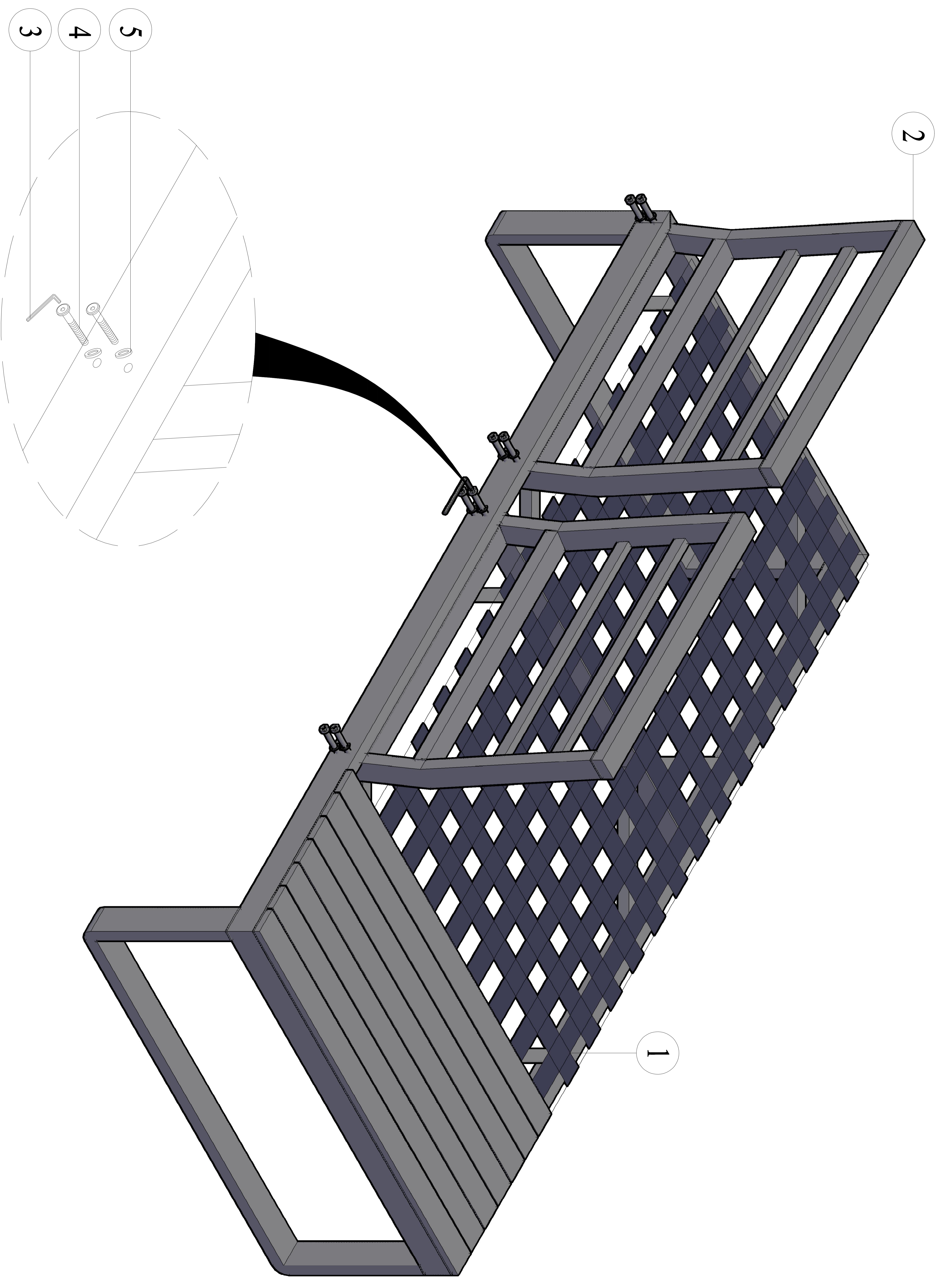
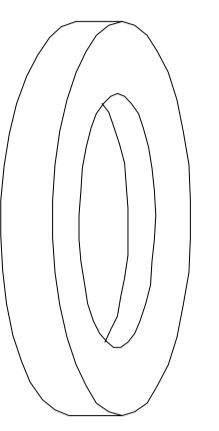
(3) = 1 Spanner



(4) = 24 Bolong

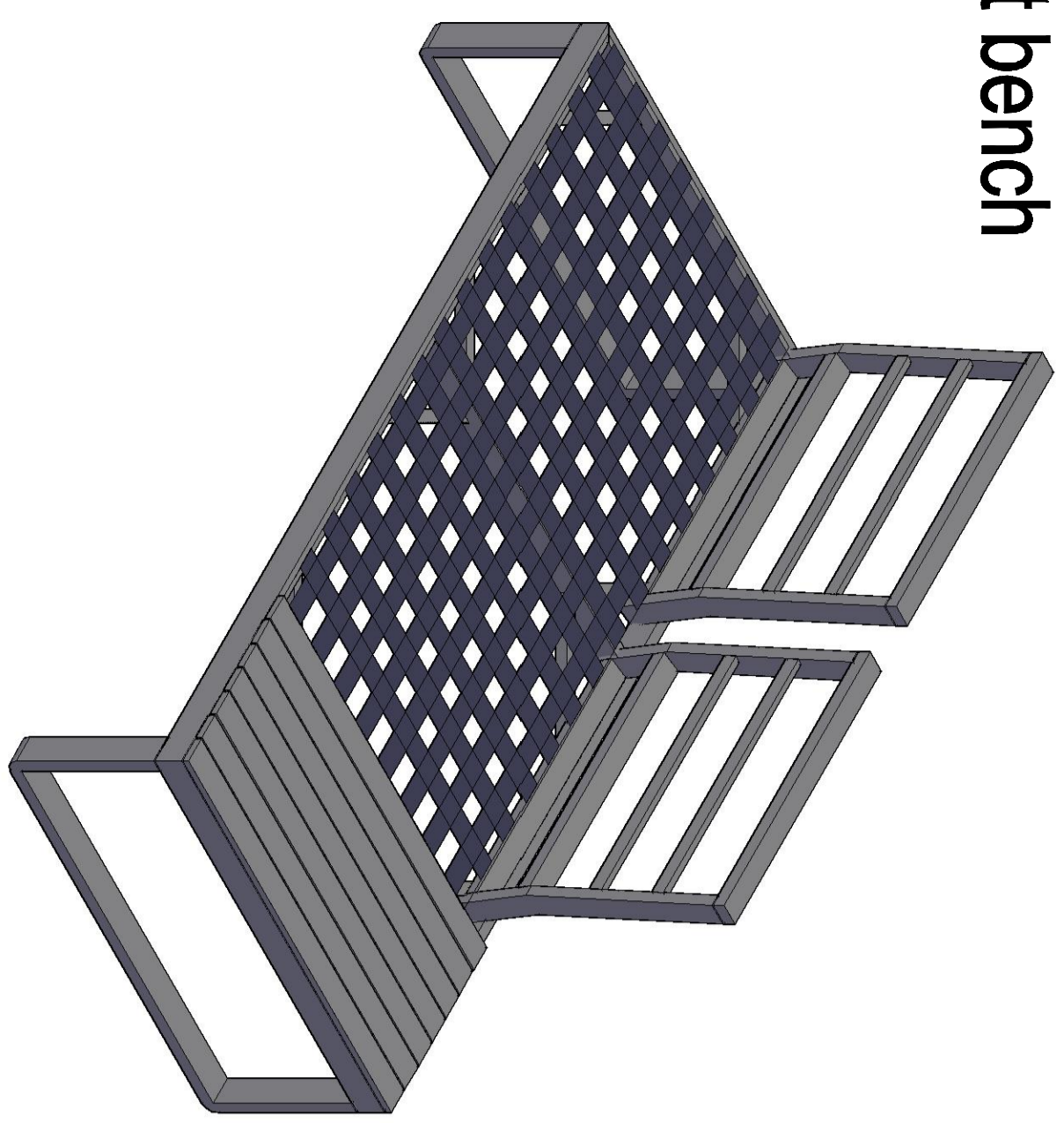


(5) = 24 Flat Washer

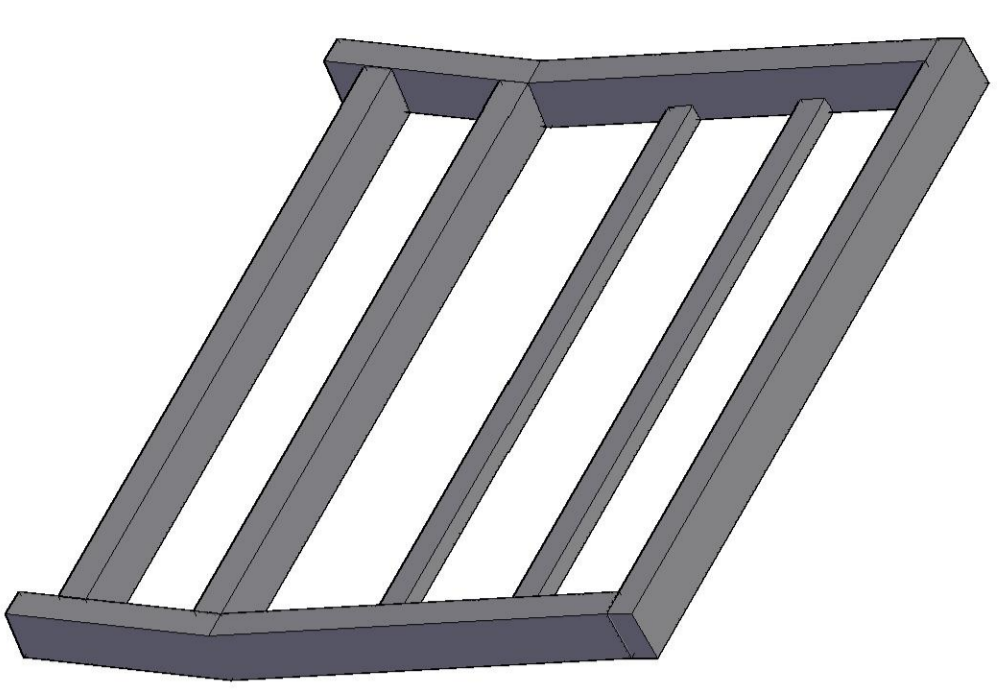


# ASSEMBLY INSTRUCTION

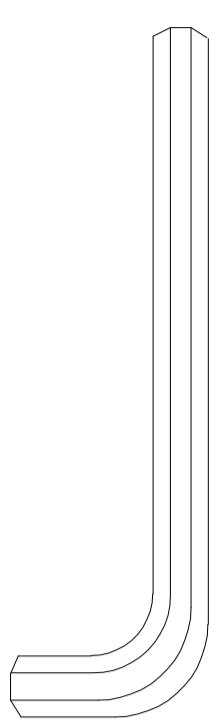
(1) Left bench



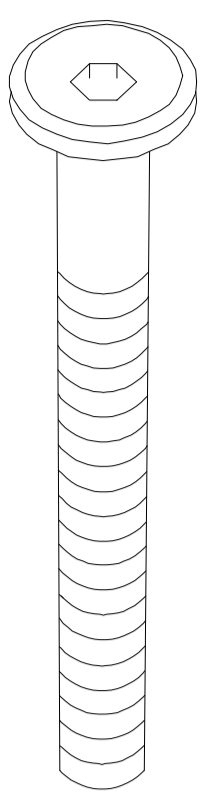
(2) Backrest



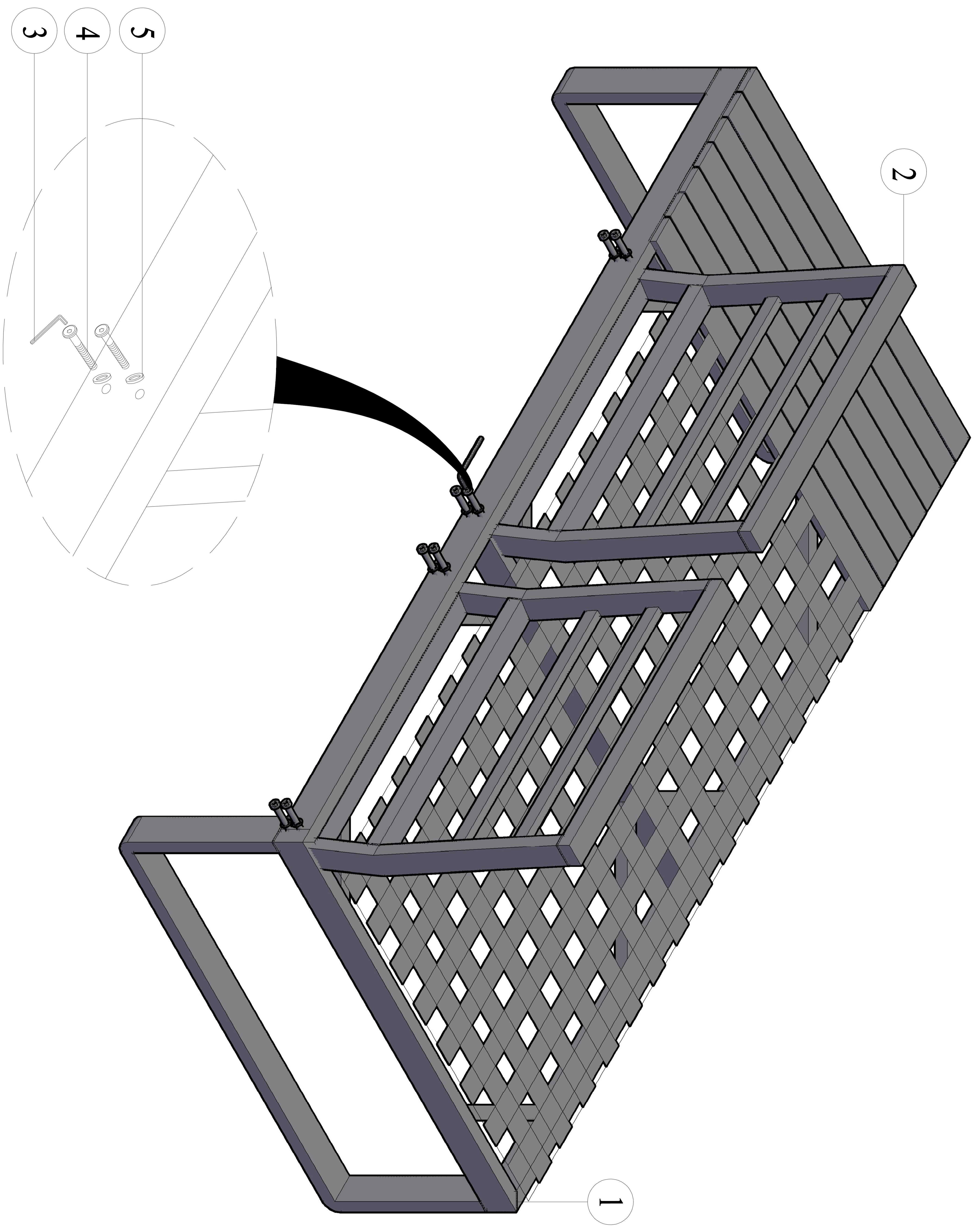
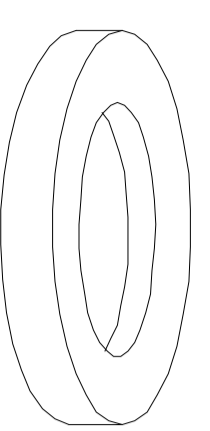
(3) Spanner



(4) Bolong

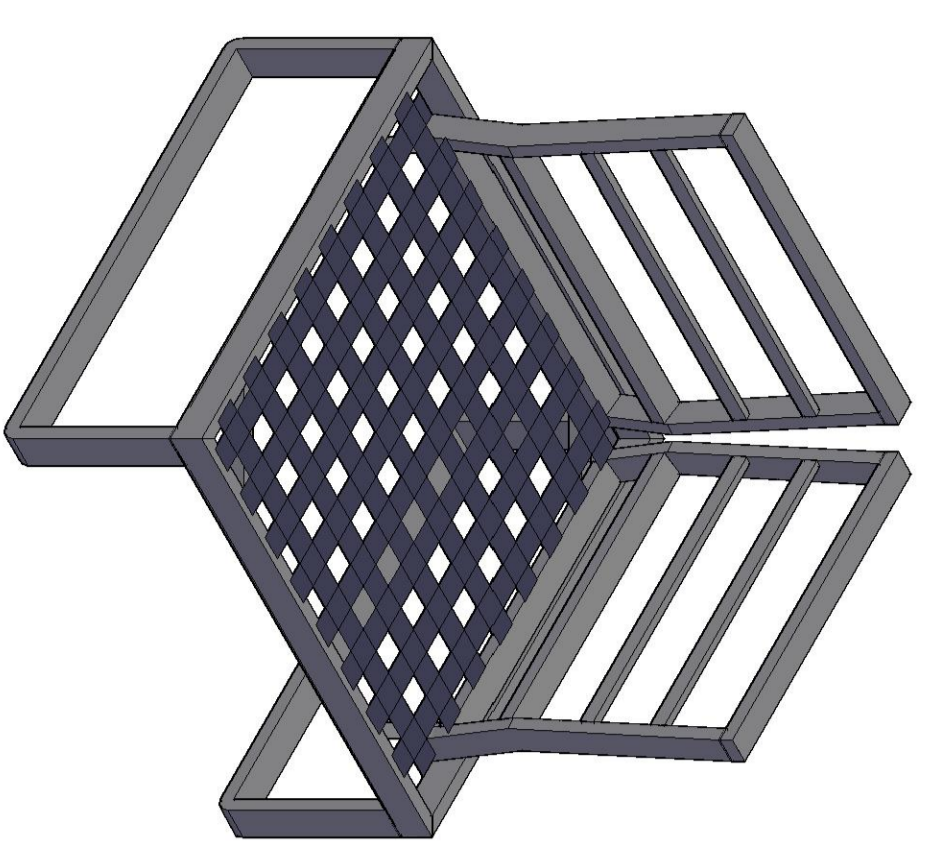


(5) Flat Washer

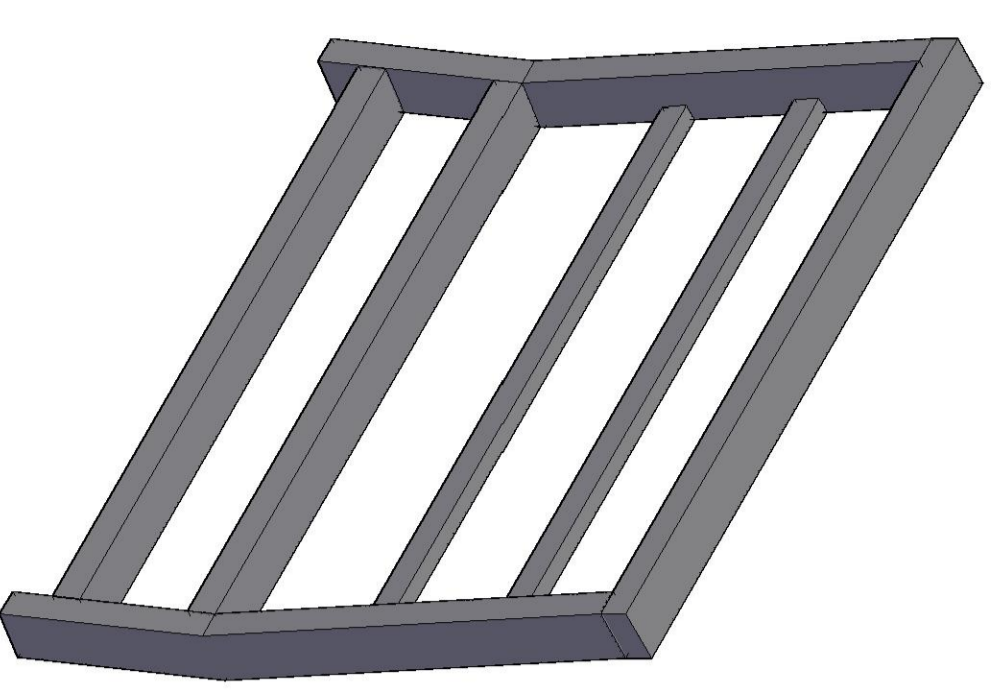


# ASSEMBLY INSTRUCTION

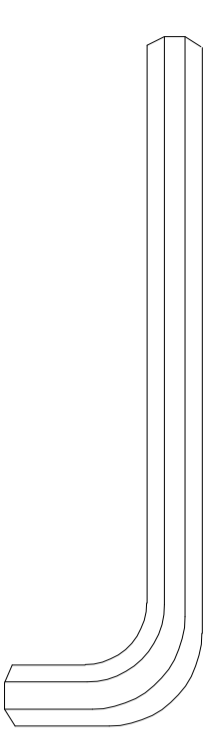
(1) Corner



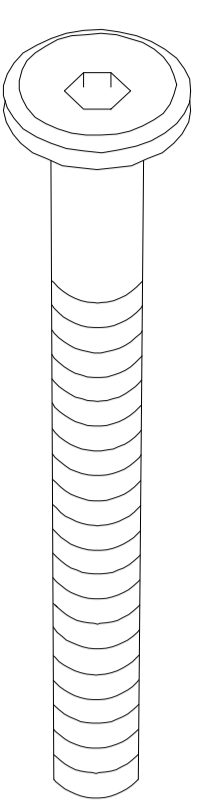
(2) Backrest



(3) Spanner



(4) Bolong



(5) Flat Washer

