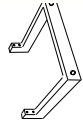


Assembly Instruction

MONTERINGSANVISNING | MONTAGEANLEITUNGEN



A
x1



B
x2



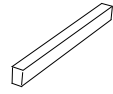
C
x8



D
x8



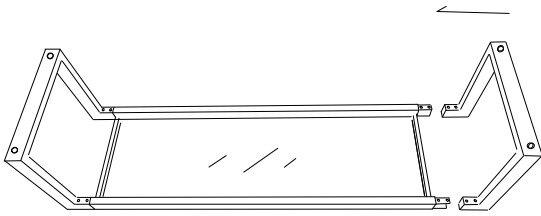
E
x1



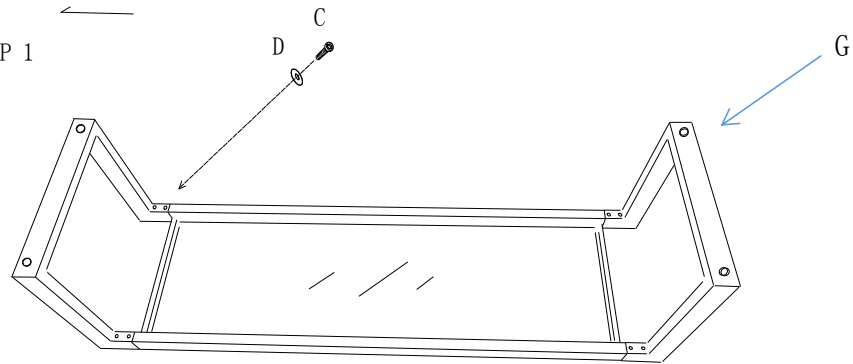
F



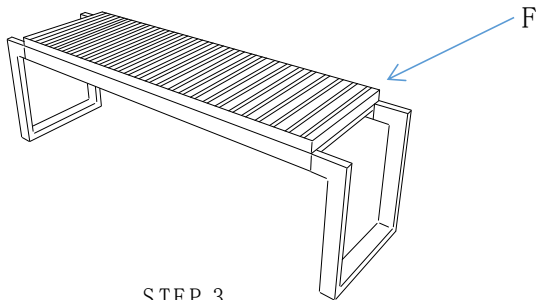
G



STEP 1



STEP 2



STEP 3



Do not tighten screws until all screws
have been assembled !